

**VIRON**® INTERNATIONAL CORP.

OWOSSO, MICHIGAN      TEMPLE, TEXAS

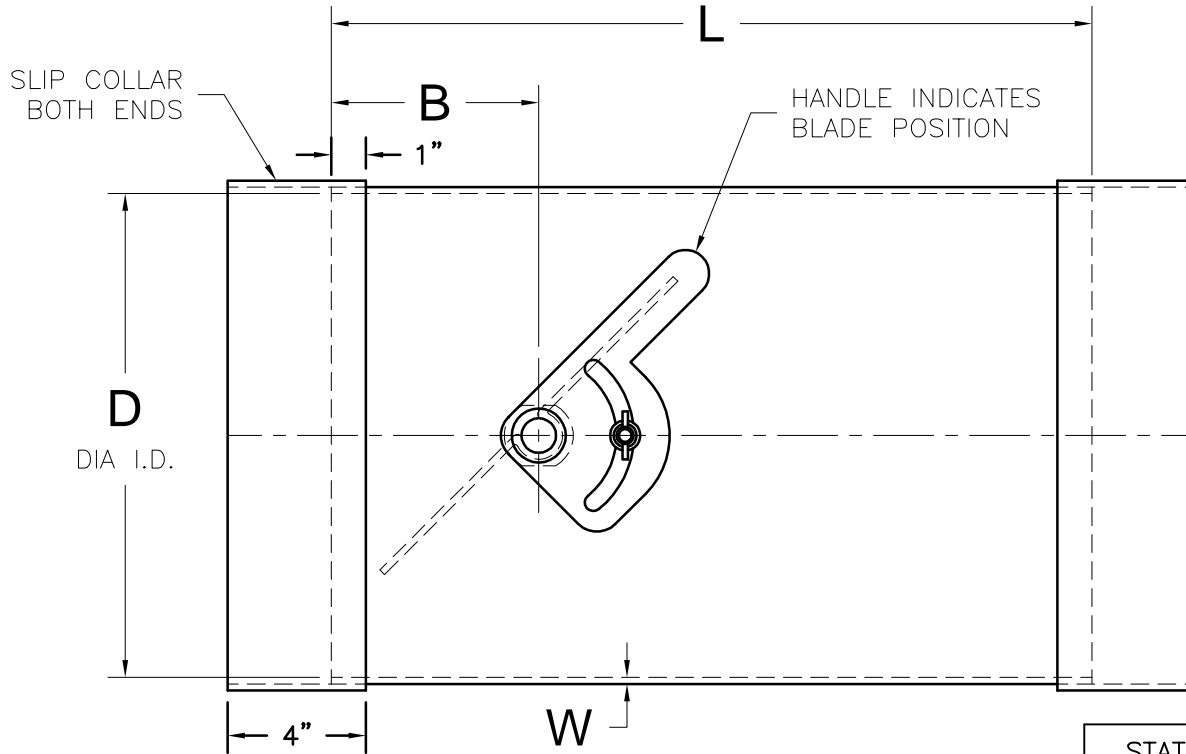
989-723-8255

989-723-8417 FAX    EMAIL: vironinfo@vironintl.com

ENVIRONMENTAL CONTROL SYSTEMS

USER	
REP.	
JOB NO.	
DATE	SHEET OF
DRAWN BY	

# PVC



STATIC PRESSURE

-2"WG     -4"WG

-6"WG     -10"WG

OTHER: \_\_\_\_\_

PART NO.	DESCRIPTION				TYPE	QTY	REMARKS
	D	L	B	W			

## PVC VOLUME DAMPER