

VIRON® INTERNATIONAL CORP.

OWOSSO, MICHIGAN      TEMPLE, TEXAS

989-723-8255

989-723-8417 FAX EMAIL: vironinfo@vironintl.com

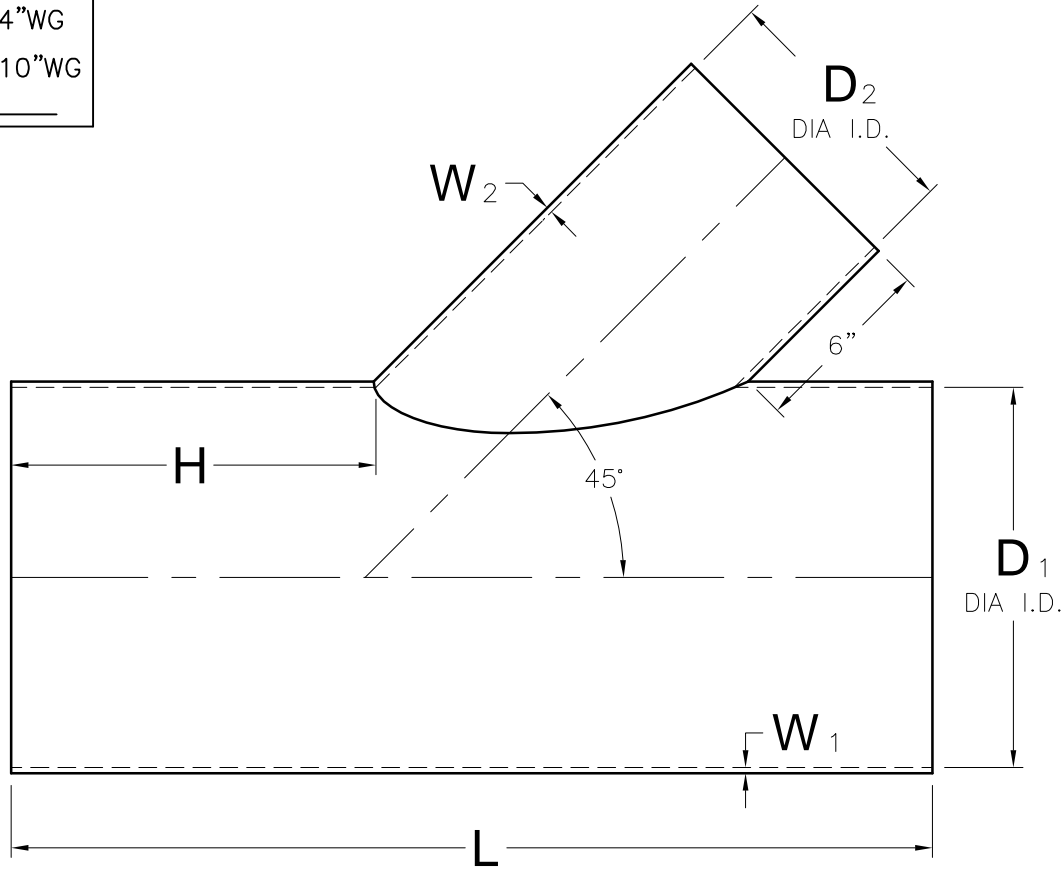
ENVIRONMENTAL CONTROL SYSTEMS

USER		
REP.		
JOB NO.		
DATE	SHEET	OF
DRAWN BY		

STATIC PRESSURE

- 2"WG     -4"WG
- 6"WG     -10"WG
- OTHER: \_\_\_\_\_

PVC



PART NO.	DESCRIPTION						TYPE	QTY	REMARKS
	D <sub>1</sub>	L	W <sub>1</sub>	D <sub>2</sub>	H	W <sub>2</sub>			

PVC STRAIGHT + 45° TAP