

VIRON[®] INTERNATIONAL CORP.

OWOSSO, MICHIGAN TEMPLE, TEXAS

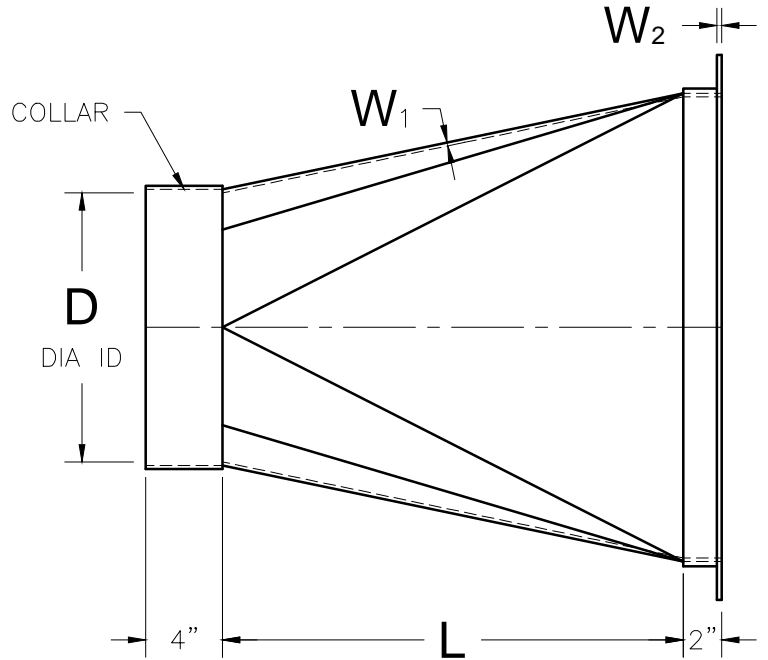
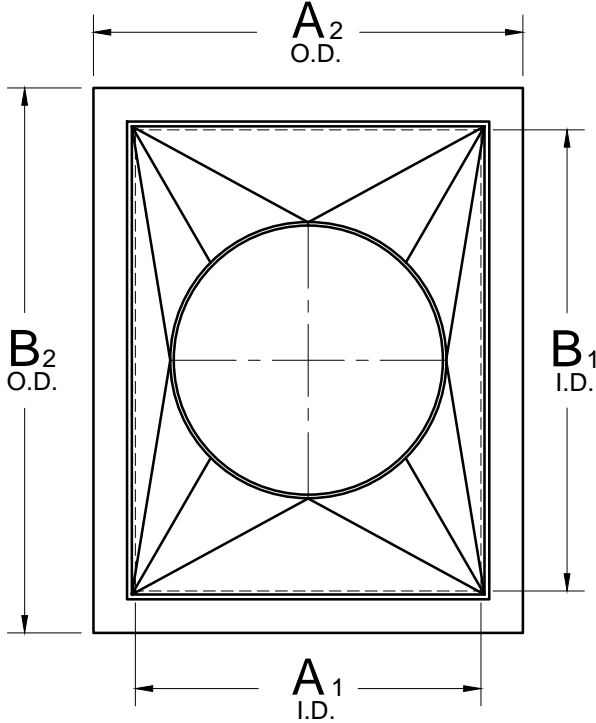
989-723-8255

989-723-8417 FAX EMAIL: vironinfo@vironintl.com

ENVIRONMENTAL CONTROL SYSTEMS

USER	
REP.	
JOB NO.	
DATE	SHEET OF
DRAWN BY	

PVC



STATIC PRESSURE

- 2"WG -4"WG
 -6"WG -10"WG
 OTHER: _____

PART NO.	DESCRIPTION								TYPE	QTY	REMARKS
	A ₁	B ₁	D	L	W ₁	A ₂	B ₂	W ₂			

PVC TRANSITION + COLLAR & ANGLE FLANGE