

**VIRON**® INTERNATIONAL CORP.

OWOSSO, MICHIGAN      TEMPLE, TEXAS

989-723-8255

989-723-8417 FAX    EMAIL: vironinfo@vironintl.com

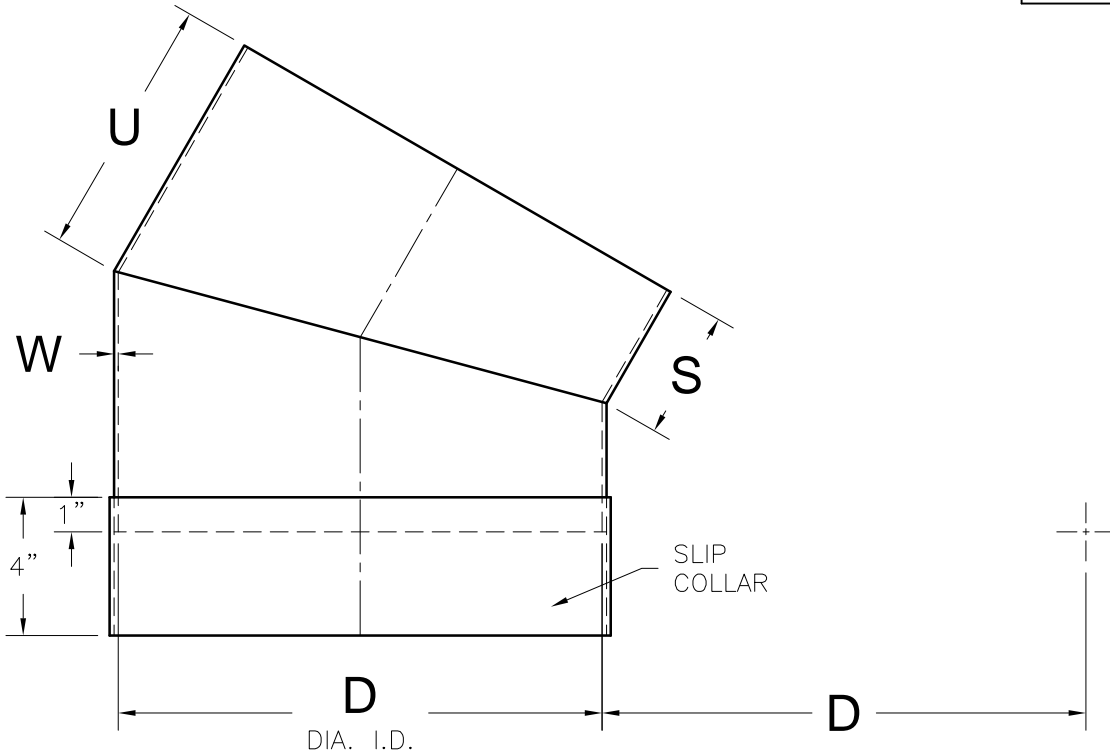
ENVIRONMENTAL CONTROL SYSTEMS

USER	
REP.	
JOB NO.	
DATE	SHEET OF
DRAWN BY	

**PVC**

STATIC PRESSURE

- 2"WG     -4"WG  
 -6"WG     -10"WG  
 OTHER: \_\_\_\_\_



PART NO.	DESCRIPTION				TYPE	QTY	REMARKS
	D	S	U	W			

**PVC 30° FTR ELBOW (2-GORE) + COLLAR**