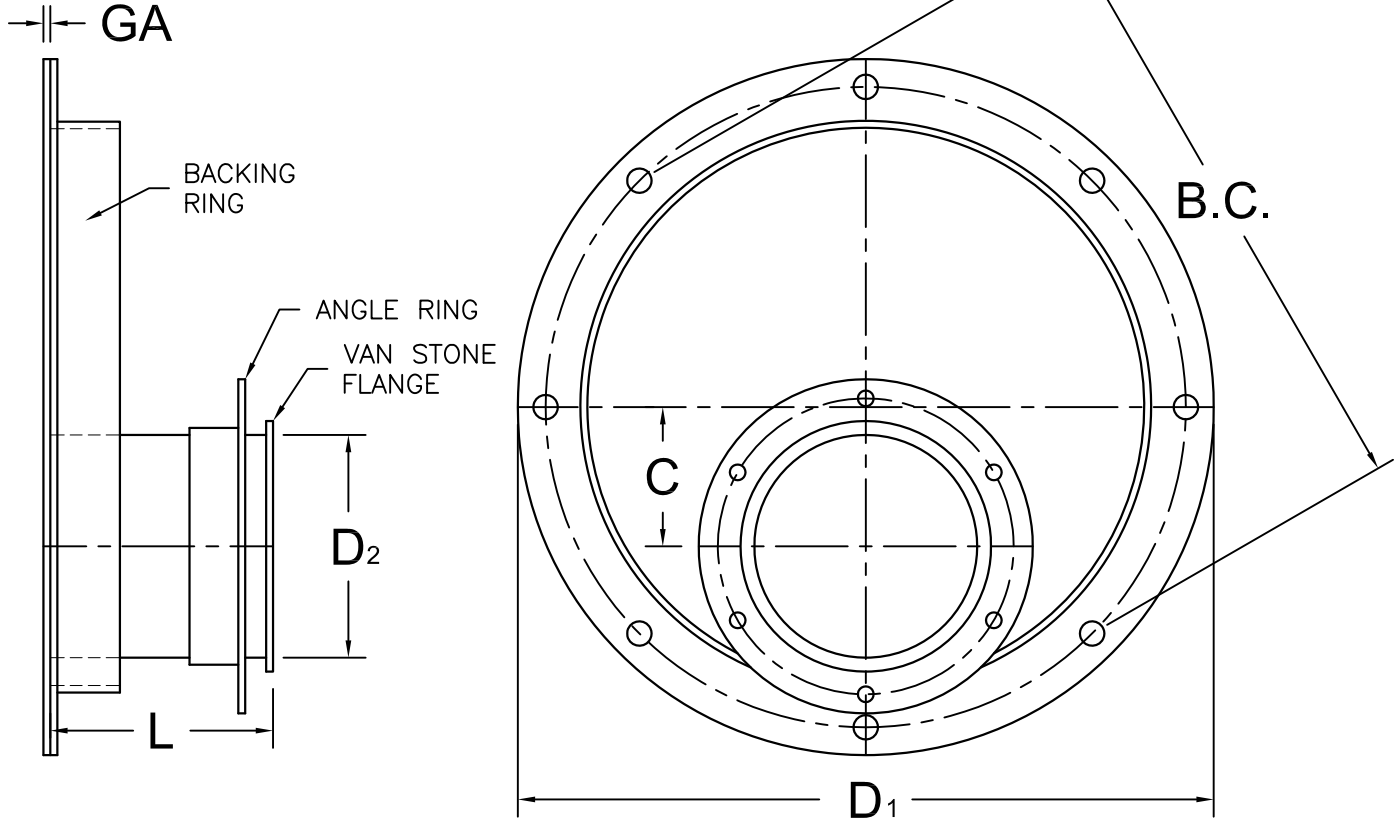


VIRON[®] INTERNATIONAL CORP.

505 Hintz Road
 Owosso, MI 48867
 989-723-8255 • 989-723-8417
 email: vironinfo@vironintl.com

ENVIRONMENTAL CONTROL SYSTEMS

| | |
|----------|----------|
| USER | |
| REP. | |
| JOB NO. | |
| DATE | SHEET OF |
| DRAWN BY | |



NOTES:

1. 304L 316L SST MATERIAL WITH 2B FINISH.
2. 304 SST DRILLED ANGLE RINGS.
3. HALAR COATED INTERIOR ONLY.
4. FUSION WELDS ON ALL LONGITUDINAL SEAMS.

STATIC PRESSURE

-6"WG -10"WG

OTHER: _____

| PART NO. | DESCRIPTION | | | | | | | | QTY | REMARKS |
|----------|----------------|----|------|-----------|------------|----------------|---|---|-----|---------|
| | D ₁ | GA | B.C. | HOLE SIZE | # OF HOLES | D ₂ | L | C | | |
| | | | | | | | | | | |
| | | | | | | | | | | |
| | | | | | | | | | | |
| | | | | | | | | | | |
| | | | | | | | | | | |
| | | | | | | | | | | |

SSTEELCOAT[®] END CAP + OFFSET STUB FLANGE