

VIRON[®] INTERNATIONAL CORP.

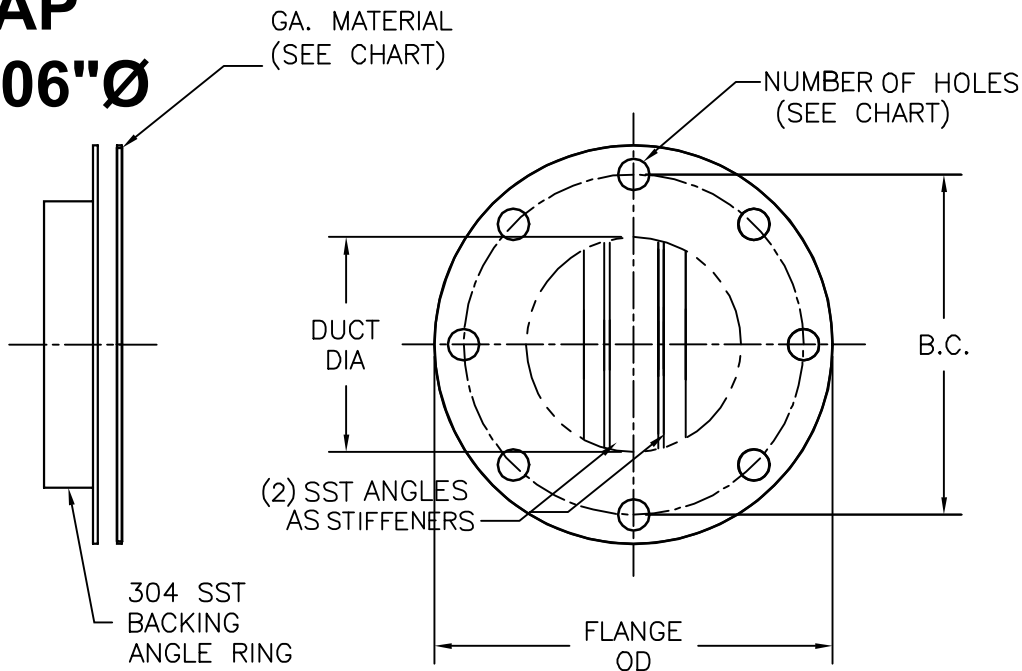
505 Hintz Road
 Owosso, MI 48867
 989-723-8255 • 989-723-8417
 email: vironinfo@vironintl.com
ENVIRONMENTAL CONTROL SYSTEMS

USER	
REP.	
JOB NO.	
DATE	SHEET OF
DRAWN BY	

END CAP

92"Ø-106"Ø

SST



NOTES:

- 304L 316 L SST MATERIAL WITH 2B FINISH.
- 304 SST ANGLE RINGS DRILLED
- HALAR COATING, INTERIOR ONLY.

STATIC PRESSURE

-6"WG -10"WG

OTHER: _____

PART NUMBER	DESCRIPTION					GA	QTY	REMARKS
	DUCT DIA	FLANGE OD	B.C.	HOLE SIZE	# OF HOLES			
	92"	98¼"	95½"	7/16" x 5/8"	88	11		
	94"	100¼"	97½"	7/16" x 5/8"	92	11		
	96"	104¼"	100¾"	9/16" x 3/4"	92	11		
	98"	106¼"	102¾"	9/16" x 3/4"	96	10		
	100"	108¼"	104¾"	9/16" x 3/4"	96	10		
	102"	110¼"	106¾"	9/16" x 3/4"	100	10		
	104"	112¼"	108¾"	9/16" x 3/4"	100	10		
	106"	114¼"	110¾"	9/16" x 3/4"	104	10		

SSTEELCOAT[®] END CAP W/BACKING A/R