

VIRON[®] INTERNATIONAL CORP.

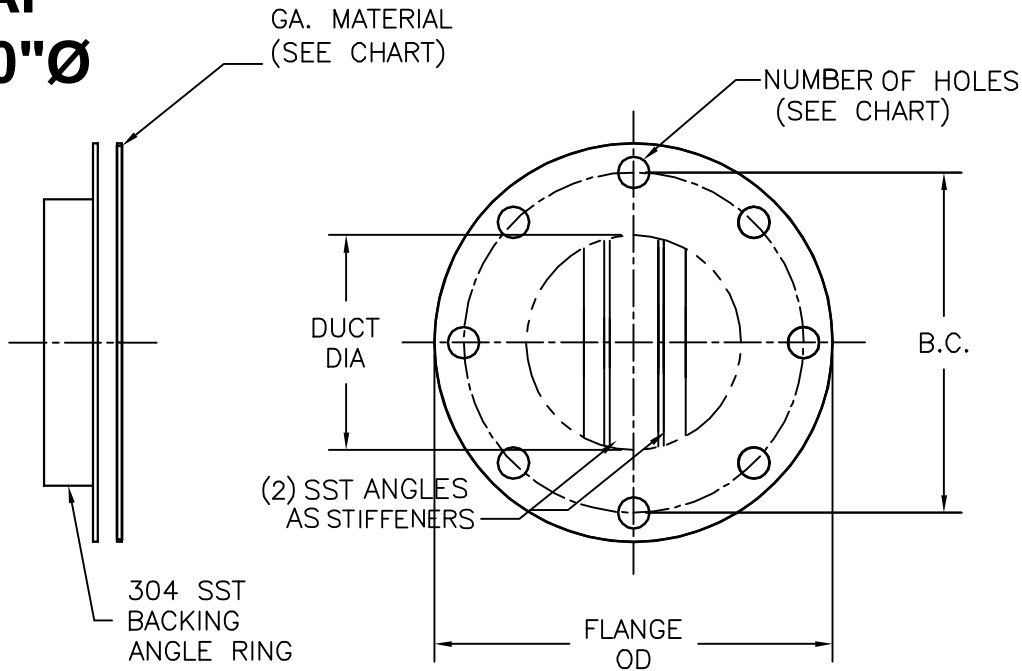
505 Hintz Road
 Owosso, MI 48867
 989-723-8255 • 989-723-8417
 email: vironinfo@vironintl.com

ENVIRONMENTAL CONTROL SYSTEMS

USER	
REP.	
JOB NO.	
DATE	SHEET OF
DRAWN BY	

END CAP 76"Ø-90"Ø

SST



NOTES:

- 304L 316 L SST MATERIAL WITH 2B FINISH.
- 304 SST ANGLE RINGS DRILLED
- HALAR COATING, INTERIOR ONLY.

STATIC PRESSURE

-6"WG -10"WG

OTHER: _____

PART NUMBER	DESCRIPTION					GA	QTY	REMARKS
	DUCT DIA	FLANGE OD	B.C.	HOLE SIZE	# OF HOLES			
	76"	82¼"	79½"	7/16" x 5/8"	72	12		
	78"	84¼"	81½"	7/16" x 5/8"	76	12		
	80"	86¼"	83½"	7/16" x 5/8"	76	12		
	82"	88¼"	85½"	7/16" x 5/8"	80	12		
	84"	90¼"	87½"	7/16" x 5/8"	80	12		
	86"	92¼"	89½"	7/16" x 5/8"	84	12		
	88"	94¼"	91½"	7/16" x 5/8"	84	12		
	90"	96¼"	93½"	7/16" x 5/8"	88	12		

SSTEELCOAT[®] END CAP W/BACKING A/R