

# VIRON<sup>®</sup> INTERNATIONAL CORP.

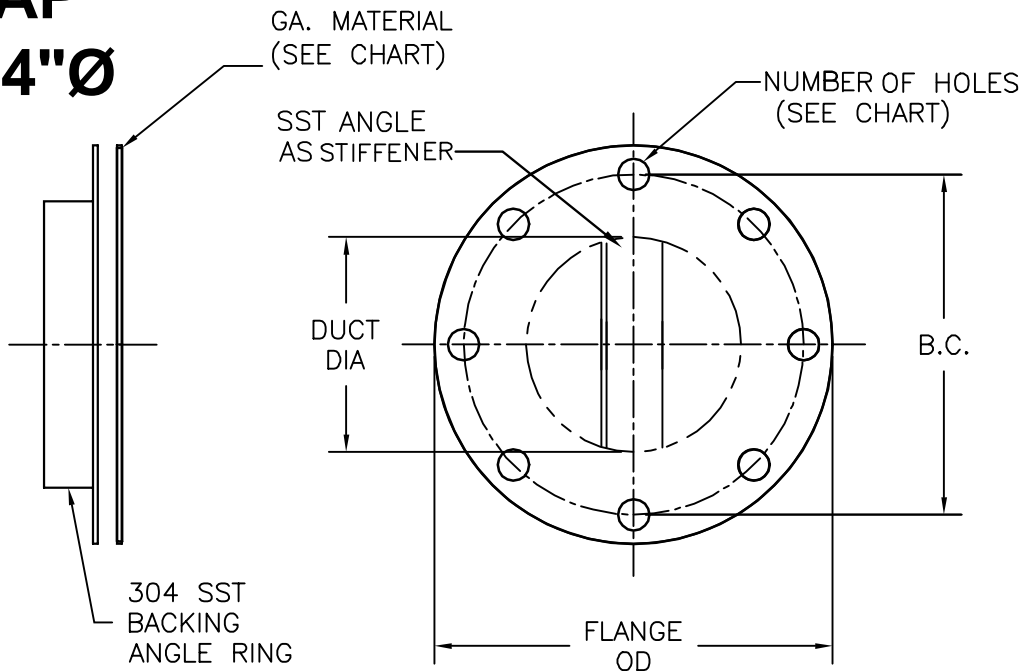
505 Hintz Road  
 Owosso, MI 48867  
 989-723-8255 • 989-723-8417  
 email: vironinfo@vironintl.com

ENVIRONMENTAL CONTROL SYSTEMS

USER	
REP.	
JOB NO.	
DATE	SHEET OF
DRAWN BY	

## END CAP 66"Ø-74"Ø

# SST



**NOTES:**

- 304L  316 L SST MATERIAL WITH 2B FINISH.
- 304 SST ANGLE RINGS DRILLED
- HALAR COATING, INTERIOR ONLY.

STATIC PRESSURE

-6"WG  -10"WG

OTHER: \_\_\_\_\_

PART NUMBER	DESCRIPTION					GA	QTY	REMARKS
	DUCT DIA	FLANGE OD	B.C.	HOLE SIZE	# OF HOLES			
	66"	72¼"	69½"	7/16" x 5/8"	64	12		
	68"	74¼"	71½"	7/16" x 5/8"	64	12		
	70"	76¼"	73½"	7/16" x 5/8"	68	12		
	72"	78¼"	75½"	7/16" x 5/8"	68	12		
	74"	80¼"	77½"	7/16" x 5/8"	72	12		

## SSTEELCOAT<sup>®</sup> END CAP W/BACKING A/R