

VIRON® INTERNATIONAL CORP.

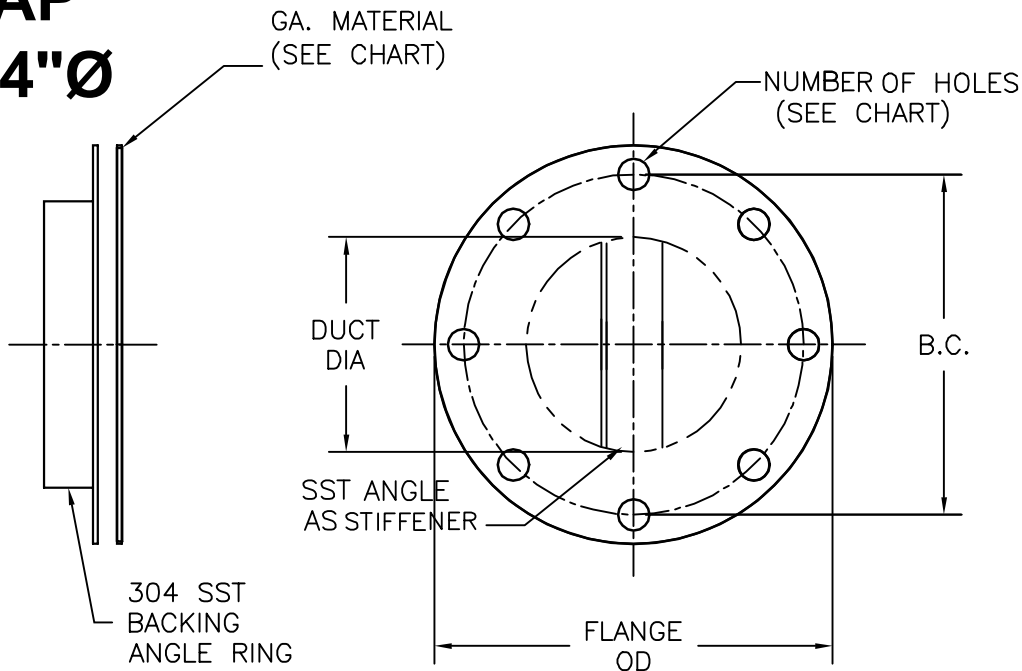
505 Hintz Road
 Owosso, MI 48867
 989-723-8255 • 989-723-8417
 email: vironinfo@vironintl.com

ENVIRONMENTAL CONTROL SYSTEMS

USER	
REP.	
JOB NO.	
DATE	SHEET OF
DRAWN BY	

END CAP
50"Ø-64"Ø

SST



NOTES:

- 304L 316 L SST MATERIAL WITH 2B FINISH.
- 304 SST ANGLE RINGS DRILLED
- HALAR COATING, INTERIOR ONLY.

STATIC PRESSURE

-6"WG -10"WG

OTHER: _____

PART NUMBER	DESCRIPTION					GA	QTY	REMARKS
	DUCT DIA	FLANGE OD	B.C.	HOLE SIZE	# OF HOLES			
	50"	55¼"	52¾"	7/16" x 5/8"	48	12		
	52"	57¼"	54¾"	7/16" x 5/8"	48	12		
	54"	59¼"	56¾"	7/16" x 5/8"	52	12		
	56"	61¼"	58¾"	7/16" x 5/8"	52	12		
	58"	63¼"	60¾"	7/16" x 5/8"	56	12		
	60"	66¼"	63½"	7/16" x 5/8"	56	12		
	62"	68¼"	65½"	7/16" x 5/8"	60	12		
	64"	70¼"	67½"	7/16" x 5/8"	60	12		

SSTEELCOAT® END CAP W/BACKING A/R