

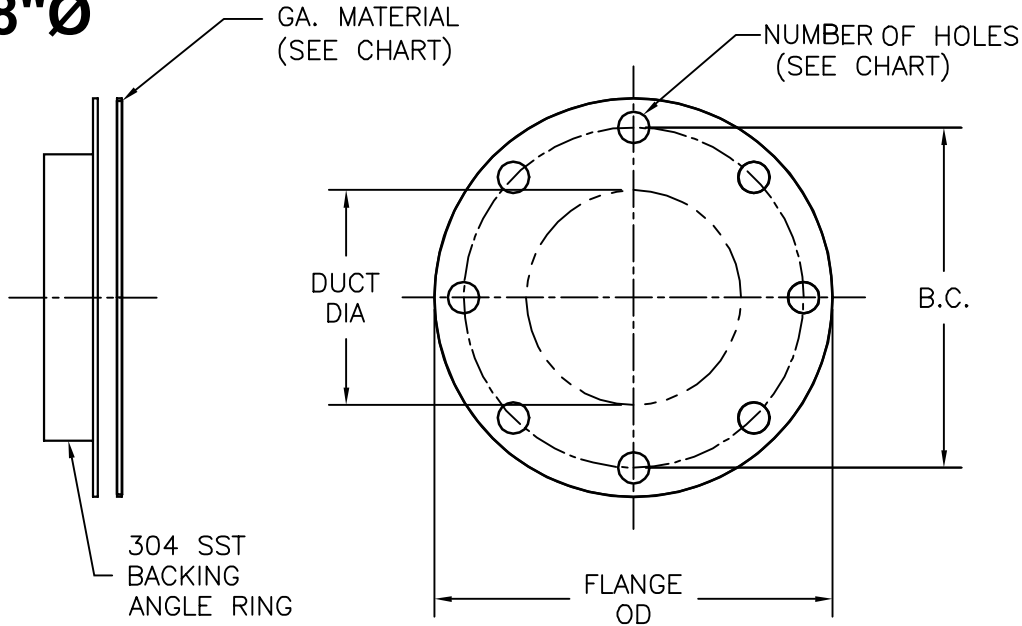
VIRON[®] INTERNATIONAL CORP.

505 Hintz Road
 Owosso, MI 48867
 989-723-8255 • 989-723-8417
 email: vironinfo@vironintl.com
ENVIRONMENTAL CONTROL SYSTEMS

USER	
REP.	
JOB NO.	
DATE	SHEET OF
DRAWN BY	

END CAP 46"Ø-48"Ø

SST



NOTES:

- 304L 316 L SST MATERIAL WITH 2B FINISH.
- 304 SST ANGLE RINGS DRILLED
- HALAR COATING, INTERIOR ONLY.

STATIC PRESSURE

-6"WG -10"WG

OTHER: _____

PART NUMBER	DESCRIPTION					GA	QTY	REMARKS
	DUCT DIA	FLANGE OD	B.C.	HOLE SIZE	# OF HOLES			
	46"	50¼"	48½"	7/16" x 5/8"	44	12		
	48"	52¼"	50½"	7/16" x 5/8"	44	12		

SSTEELCOAT[®] END CAP W/BACKING A/R