

VIRON[®] INTERNATIONAL CORP.

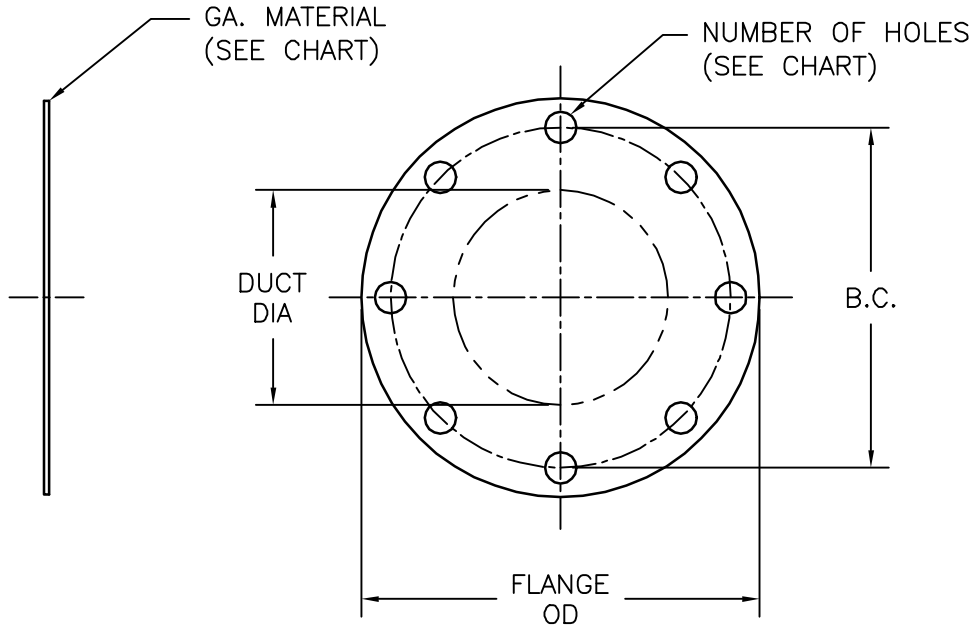
505 Hintz Road
 Owosso, MI 48867
 989-723-8255 • 989-723-8417
 email: vironinfo@vironintl.com

ENVIRONMENTAL CONTROL SYSTEMS

USER	
REP.	
JOB NO.	
DATE	SHEET OF
DRAWN BY	

END CAP 3"Ø-12"Ø

SST



- NOTES:
 1. 304L 316 L SST MATERIAL WITH 2B FINISH.
 2. HALAR COATING, INTERIOR ONLY.

STATIC PRESSURE

-6"WG -10"WG

OTHER: _____

PART NUMBER	DESCRIPTION					GA	QTY	REMARKS
	DUCT DIA	FLANGE OD	B.C.	HOLE SIZE	# OF HOLES			
	3"	5 $\frac{1}{6}$ "	4 $\frac{5}{16}$ "	9 $\frac{9}{32}$ "	6	12		
	4"	6 $\frac{1}{6}$ "	5 $\frac{5}{16}$ "	9 $\frac{9}{32}$ "	6	12		
	6"	8 $\frac{1}{6}$ "	7 $\frac{1}{2}$ "	7 $\frac{7}{16}$ " x 5 $\frac{5}{8}$ "	6	12		
	8"	10 $\frac{5}{8}$ "	9 $\frac{1}{2}$ "	7 $\frac{7}{16}$ " x 5 $\frac{5}{8}$ "	8	12		
	10"	12 $\frac{5}{8}$ "	11 $\frac{1}{2}$ "	7 $\frac{7}{16}$ " x 5 $\frac{5}{8}$ "	8	12		
	12"	15 $\frac{1}{8}$ "	13 $\frac{3}{4}$ "	7 $\frac{7}{16}$ " x 5 $\frac{5}{8}$ "	12	12		

SSTEELCOAT[®] END CAP