

VIRON[®] INTERNATIONAL CORP.

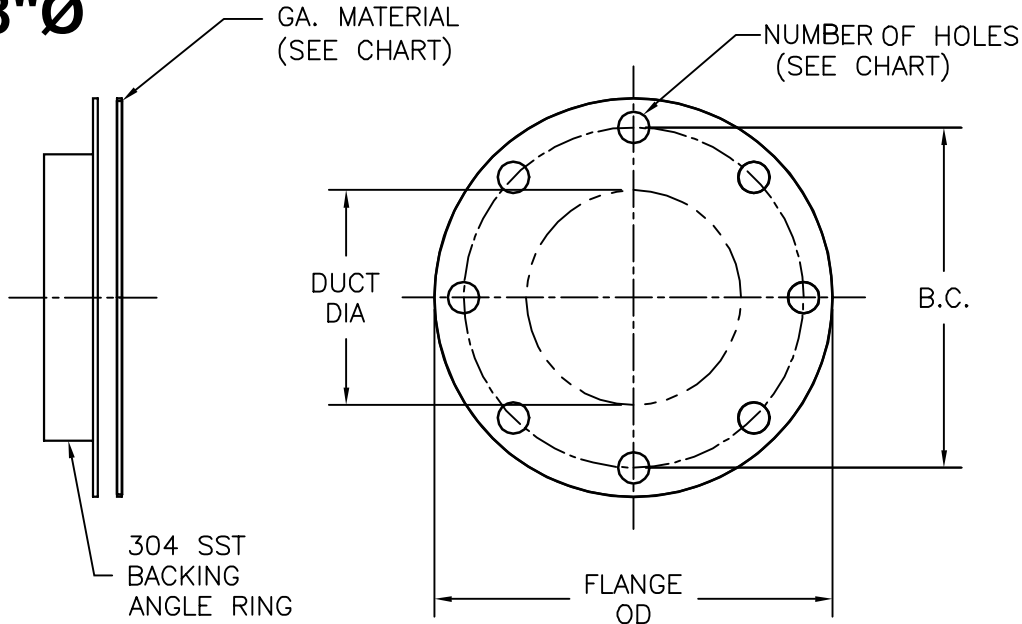
505 Hintz Road
 Owosso, MI 48867
 989-723-8255 • 989-723-8417
 email: vironinfo@vironintl.com

ENVIRONMENTAL CONTROL SYSTEMS

USER	
REP.	
JOB NO.	
DATE	SHEET OF
DRAWN BY	

END CAP 14"Ø-28"Ø

SST



- NOTES:
- 304L 316 L SST MATERIAL WITH 2B FINISH.
 - 304 SST ANGLE RINGS DRILLED
 - HALAR COATING, INTERIOR ONLY.

STATIC PRESSURE

-6"WG -10"WG

OTHER: _____

PART NUMBER	DESCRIPTION					GA	QTY	REMARKS
	DUCT DIA	FLANGE OD	B.C.	HOLE SIZE	# OF HOLES			
	14"	17 ¹ / ₈ "	15 ³ / ₄ "	7 ⁷ / ₁₆ " x 5 ⁵ / ₈ "	12	12		
	16"	19 ¹ / ₈ "	17 ³ / ₄ "	7 ⁷ / ₁₆ " x 5 ⁵ / ₈ "	16	12		
	18"	21 ¹ / ₈ "	19 ³ / ₄ "	7 ⁷ / ₁₆ " x 5 ⁵ / ₈ "	16	12		
	20"	23 ¹ / ₈ "	21 ³ / ₄ "	7 ⁷ / ₁₆ " x 5 ⁵ / ₈ "	20	12		
	22"	25 ¹ / ₈ "	23 ³ / ₄ "	7 ⁷ / ₁₆ " x 5 ⁵ / ₈ "	20	12		
	24"	27 ¹ / ₈ "	25 ³ / ₄ "	7 ⁷ / ₁₆ " x 5 ⁵ / ₈ "	20	12		
	26"	30 ¹ / ₄ "	28 ¹ / ₂ "	7 ⁷ / ₁₆ " x 5 ⁵ / ₈ "	24	12		
	28"	32 ¹ / ₄ "	30 ¹ / ₂ "	7 ⁷ / ₁₆ " x 5 ⁵ / ₈ "	24	12		

SSTEELCOAT[®] END CAP W/SS BACKING A/R