

VIRON[®] INTERNATIONAL CORP.

505 Hintz Road

Owosso, MI 48867

989-723-8255 • 989-723-8417

email: vironinfo@vironintl.com

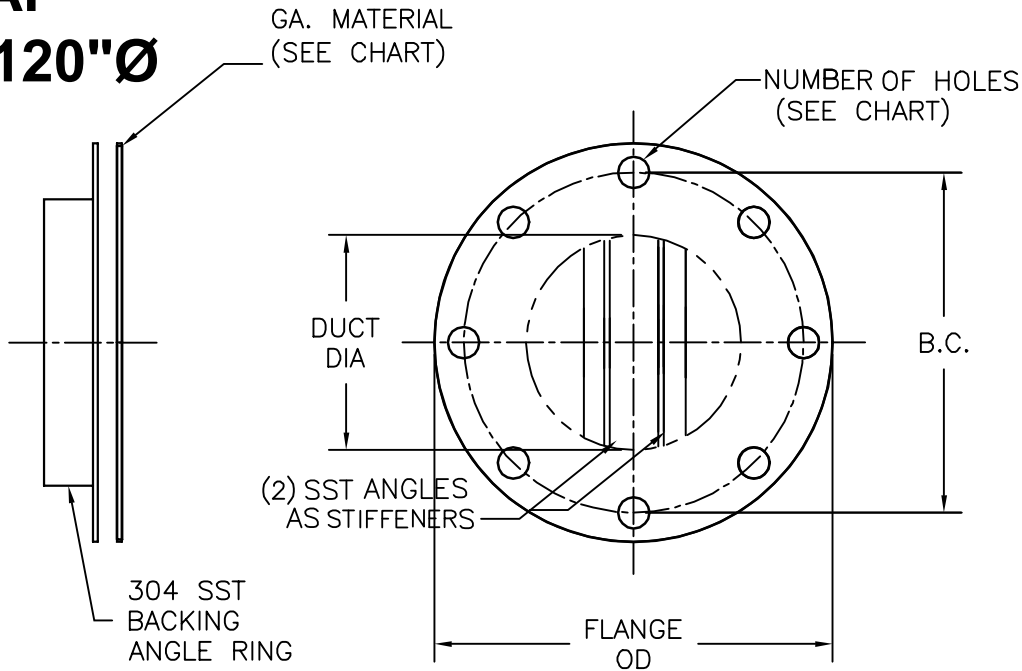
ENVIRONMENTAL CONTROL SYSTEMS

USER	
REP.	
JOB NO.	
DATE	SHEET OF
DRAWN BY	

END CAP

108"Ø-120"Ø

SST



NOTES:

- 304L 316 L SST MATERIAL WITH 2B FINISH.
- 304 SST ANGLE RINGS DRILLED
- HALAR COATING, INTERIOR ONLY.

STATIC PRESSURE

-6"WG -10"WG

OTHER: _____

PART NUMBER	DESCRIPTION					GA	QTY	REMARKS
	DUCT DIA	FLANGE OD	B.C.	HOLE SIZE	# OF HOLES			
	108"	116¼"	112¾"	9/16" x 3/4"	104	10		
	110"	118¼"	114¾"	9/16" x 3/4"	108	10		
	112"	120¼"	116¾"	9/16" x 3/4"	108	10		
	114"	122¼"	118¾"	9/16" x 3/4"	112	10		
	116"	124¼"	120¾"	9/16" x 3/4"	112	10		
	118"	126¼"	122¾"	9/16" x 3/4"	116	10		
	120"	128¼"	124¾"	9/16" x 3/4"	116	10		

SSTEELCOAT[®] END CAP W/ BACKING A/R