

VIRON® INTERNATIONAL CORP.

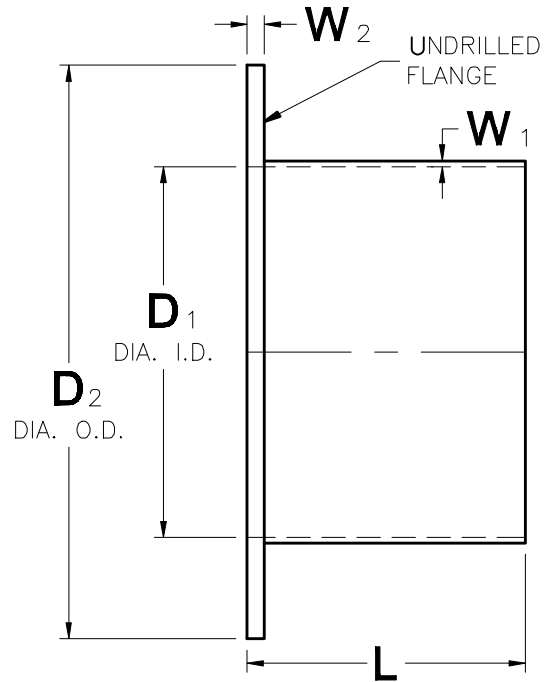
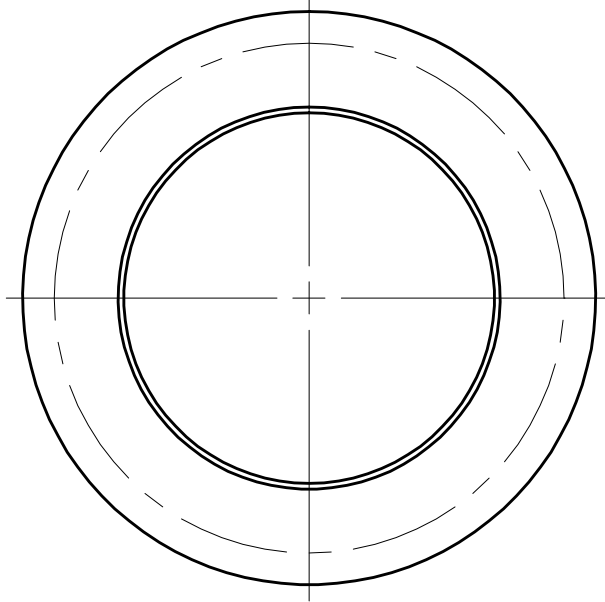
OWOSSO, MICHIGAN TEMPLE, TEXAS
989-723-8255

989-723-8417 FAX EMAIL: vironinfo@vironintl.com

ENVIRONMENTAL CONTROL SYSTEMS

USER	
REP.	
JOB NO.	
DATE	SHEET OF
DRAWN BY	

FRP



STATIC PRESSURE

- 2"WG -4"WG
 -6"WG -10"WG

OTHER: _____

PART NO.	DESCRIPTION						QTY	REMARKS
	D ₁	L	W ₁	D ₂	W ₂			

RESIN: AOC K022-CCC OR EQUAL - 1.5% ANTIMONY TRIOXIDE
10 MIL INTERIOR C-GLASS VEIL - VIRON GREY GELCOAT

FRP STUB FLANGE