

VIRON® INTERNATIONAL CORP.

OWOSSO, MICHIGAN TEMPLE, TEXAS
 989-723-8255
 989-723-8417 FAX EMAIL: vironinfo@vironintl.com

ENVIRONMENTAL CONTROL SYSTEMS

USER

REP.

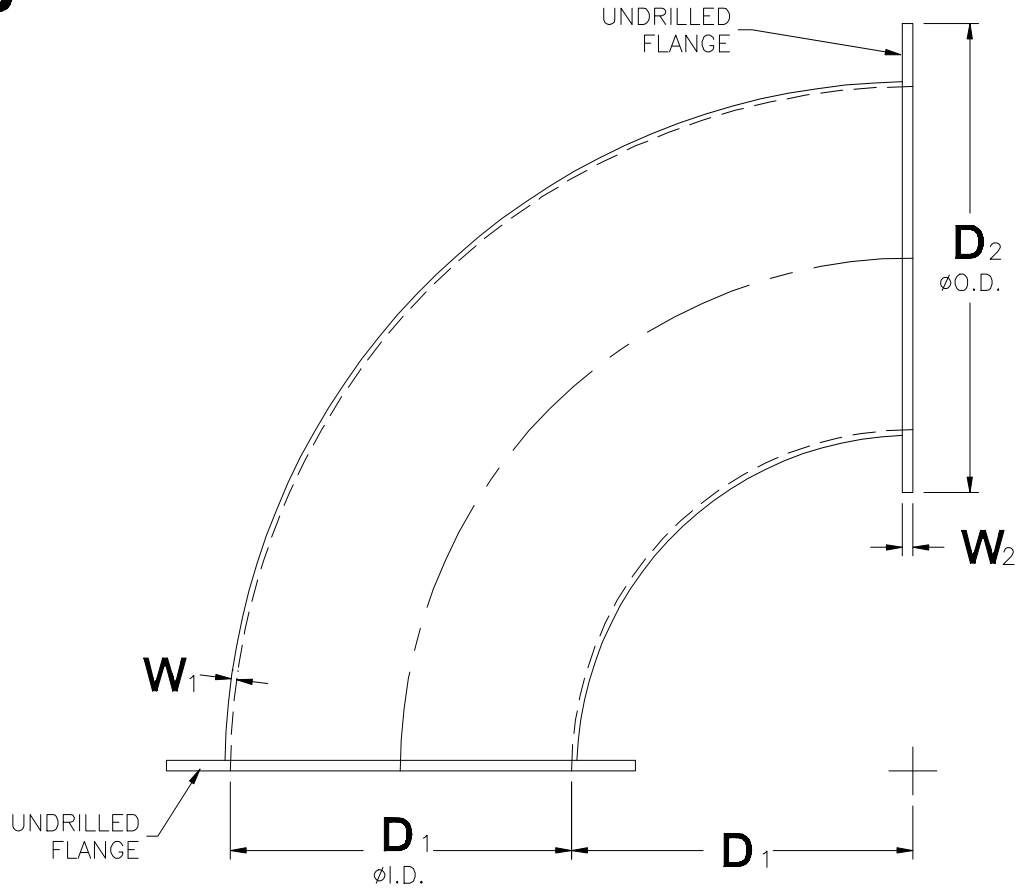
JOB NO.

DATE

SHEET OF

DRAWN BY

FRP



PART NO.	DESCRIPTION					QTY.	REMARKS
	D ₁	D ₂	W ₁	W ₂			

RESIN: AOC K022-CCC OR EQUAL – 1.5% ANTIMONY TRIOXIDE
 10 MIL INTERIOR C-GLASS VEIL – VIRON GREY GELCOAT

FRP 90° FTR ELBOW (SMOOTH) w/ FLANGES