

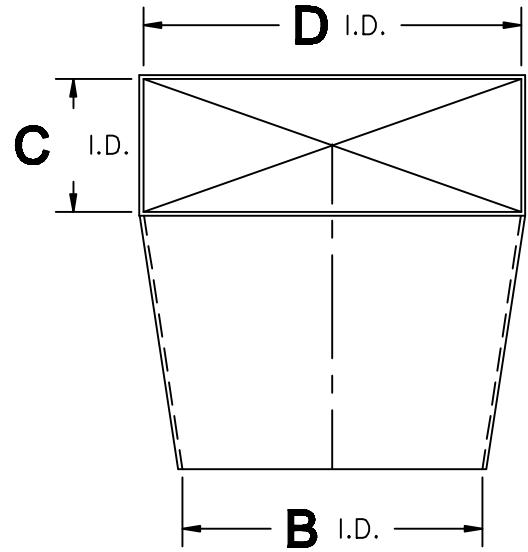
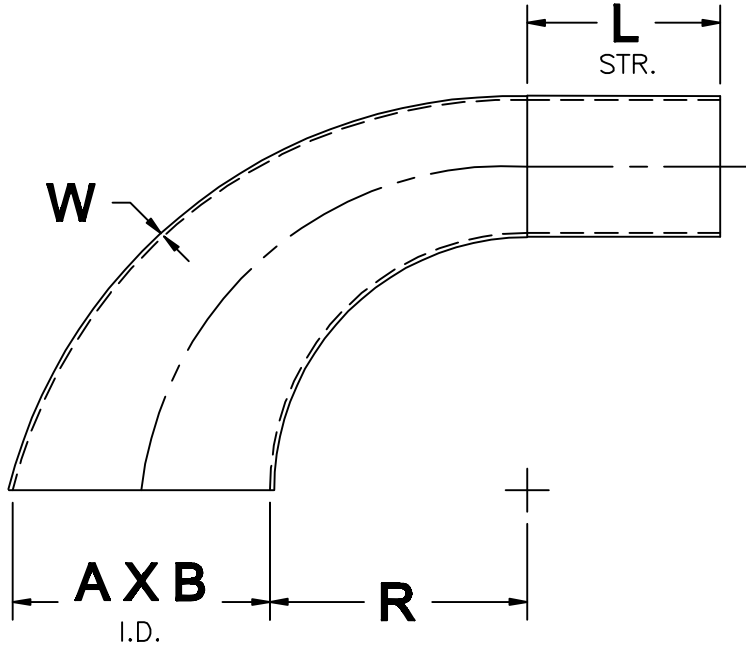
**VIRON**® INTERNATIONAL CORP.

OWOSSO, MICHIGAN    TEMPLE, TEXAS  
 989-723-8255  
 989-723-8417 FAX    EMAIL: vironinfo@vironintl.com

ENVIRONMENTAL CONTROL SYSTEMS

USER	
REP.	
JOB NO.	
DATE	SHEET OF
DRAWN BY	

**FRP**



PART NO.	DESCRIPTION							QTY.	REMARKS
	A	B	C	D	L	R	W		

**RESIN:** AOC K022-CCC OR EQUAL - 1.5% ANTIMONY TRIOXIDE  
 10 MIL INTERIOR C-GLASS VEIL - VIRON GREY GELCOAT

**FRP REDUCING RECTANGULAR ELBOW w/STRAIGHT**