

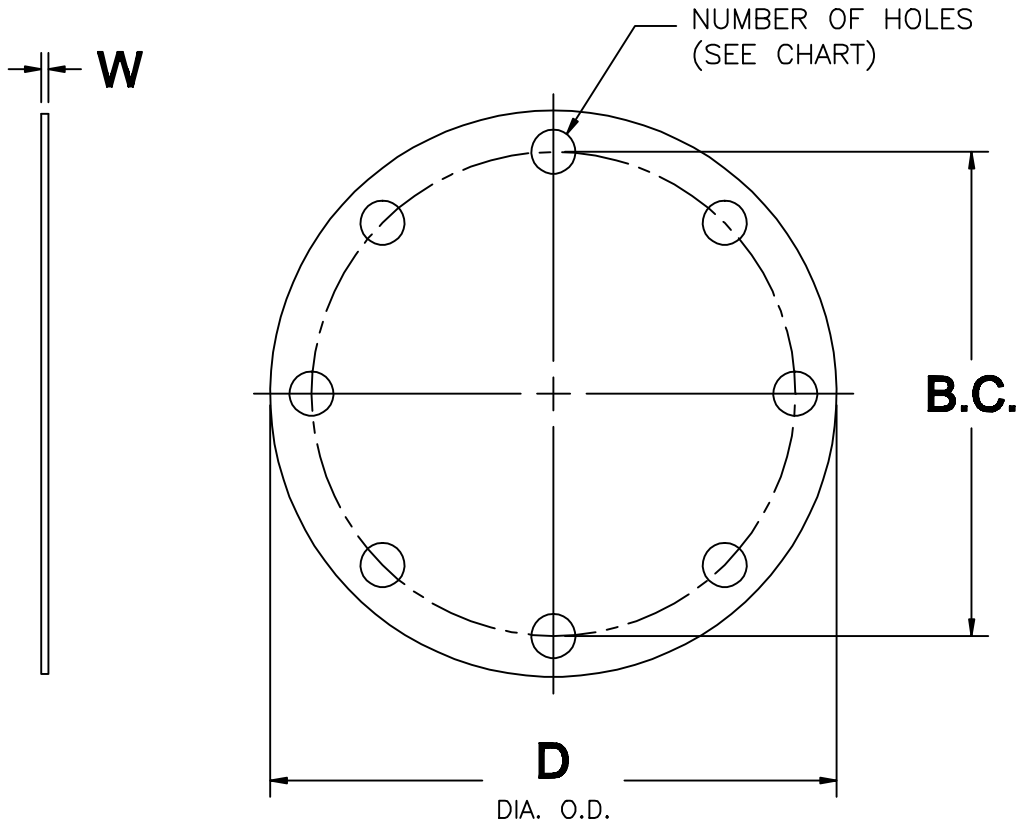
VIRON® INTERNATIONAL CORP.

OWOSSO, MICHIGAN TEMPLE, TEXAS
 989-723-8255
 989-723-8417 FAX EMAIL: vironinfo@vironintl.com

ENVIRONMENTAL CONTROL SYSTEMS

USER	
REP.	
JOB NO.	
DATE	SHEET OF
DRAWN BY	

FRP



PART NO.	DESCRIPTION					QTY.	REMARKS
	D	W	BC	HOLE SIZE	NO. OF HOLES		

RESIN: AOC K022-CCC OR EQUAL - 1.5% ANTIMONY TRIOXIDE
 10 MIL INTERIOR C-GLASS VEIL - VIRON GREY GELCOAT

FRP END PLATE (DRILLED)