

**VIRON**® INTERNATIONAL CORP.

OWOSSO, MICHIGAN    TEMPLE, TEXAS  
 989-723-8255  
 989-723-8417 FAX    EMAIL: [vironinfo@vironintl.com](mailto:vironinfo@vironintl.com)

ENVIRONMENTAL CONTROL SYSTEMS

USER

REP.

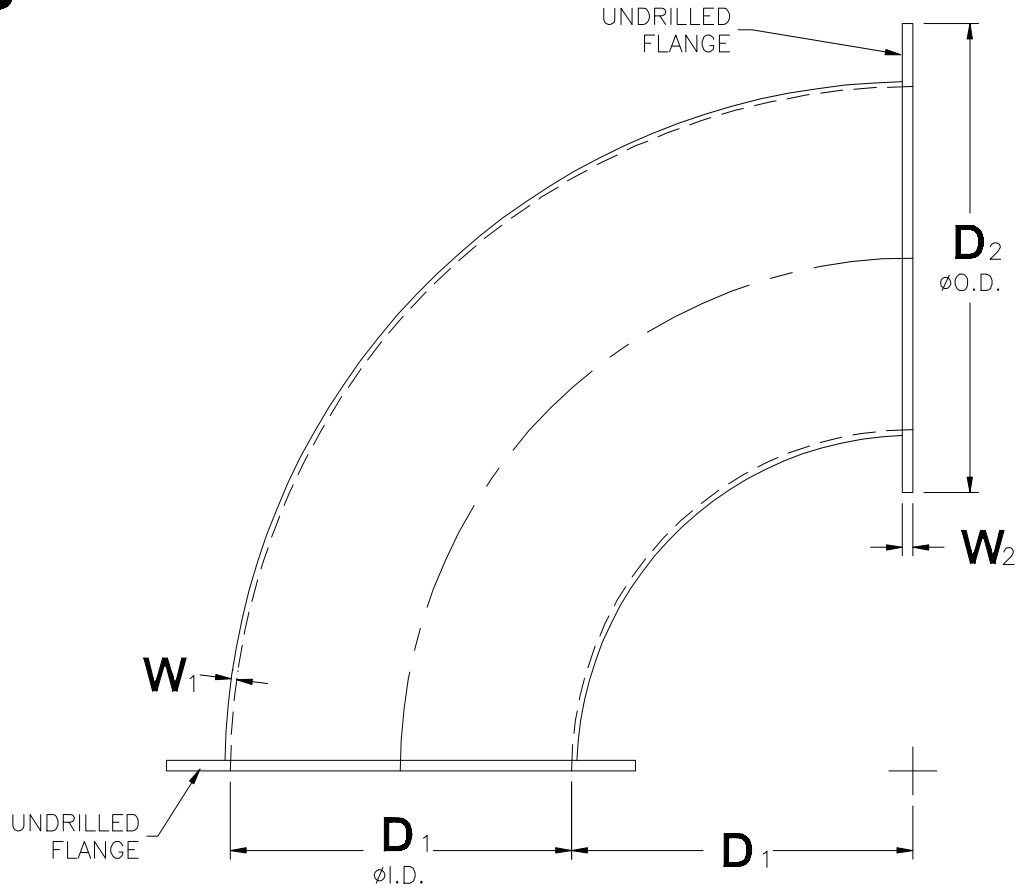
JOB NO.

DATE

SHEET OF

DRAWN BY

**FRP**



PART NO.	DESCRIPTION					QTY.	REMARKS
	D <sub>1</sub>	D <sub>2</sub>	W <sub>1</sub>	W <sub>2</sub>			

**RESIN:** AOC K022-CCC OR EQUAL - 1.5% ANTIMONY TRIOXIDE  
 10 MIL INTERIOR C-GLASS VEIL - VIRON GREY GELCOAT

**FRP 90° FTR ELBOW (SMOOTH) w/ FLANGES**