

**VIRON**® INTERNATIONAL CORP.

OWOSSO, MICHIGAN      TEMPLE, TEXAS

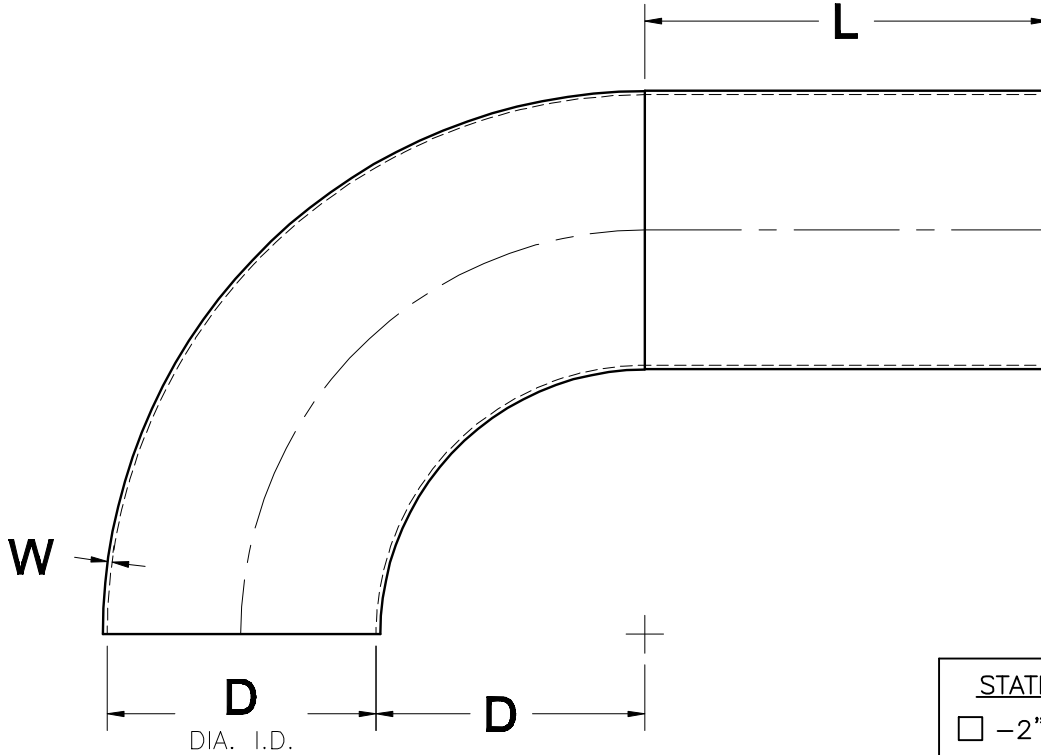
989-723-8255

989-723-8417 FAX      EMAIL: vironinfo@vironintl.com

ENVIRONMENTAL CONTROL SYSTEMS

USER	
REP.	
JOB NO.	
DATE	SHEET OF
DRAWN BY	

**FRP**



STATIC PRESSURE

-2"WG     -4"WG

-6"WG     -10"WG

OTHER: \_\_\_\_\_

PART NO.	DESCRIPTION			QTY	REMARKS
	D	L	W		

**RESIN:** AOC K022-CCC OR EQUAL - 1.5% ANTIMONY TRIOXIDE  
 10 MIL INTERIOR C-GLASS VEIL - VIRON GREY GELCOAT

**FRP 90° FTR ELBOW (SMOOTH) + STRAIGHT**