

VIRON[®] INTERNATIONAL CORP.

OWOSSO, MICHIGAN TEMPLE, TEXAS

989-723-8255

989-723-8417 FAX

EMAIL: vironinfo@vironintl.com

ENVIRONMENTAL CONTROL SYSTEMS

USER		
REP.		
JOB NO.		
DATE	SHEET	OF
DRAWN BY		

STANDARD DIAMETERS & LENGTHS

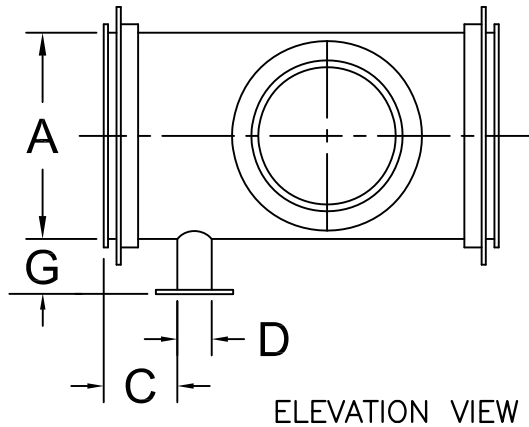
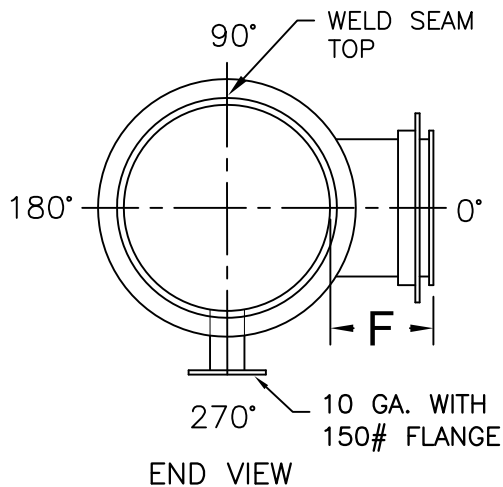
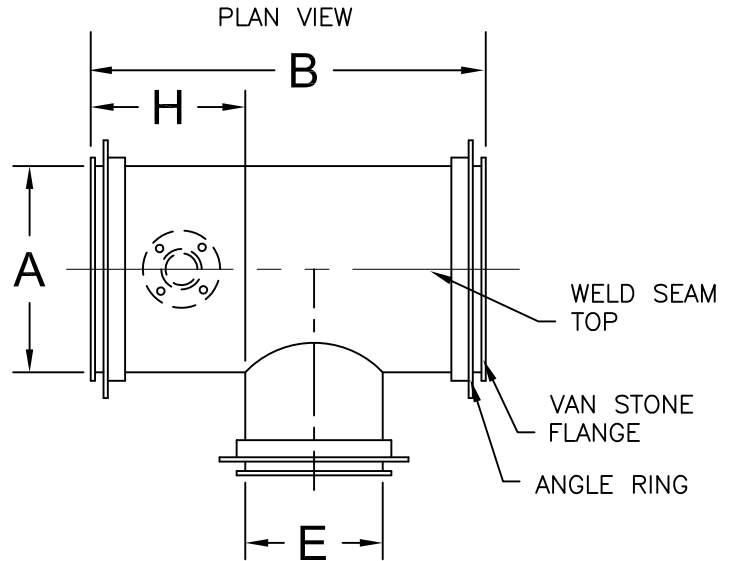
4"Ø = 48" LONG

6"Ø - 16"Ø = 47¼" LONG

18"Ø - 120"Ø = 47" LONG

NOTES:

1. 304L 316L SST MATERIAL WITH 2B FINISH.
2. 304 SST ANGLE RINGS DRILLED.
3. HALAR COATING, INTERIOR ONLY.
4. TIG WELDS ONLY.
5. FUSION WELDS ON ALL LONGITUDINAL SEAMS.
6. "F" REQUIRES A 6" MINIMUM LENGTH.
7. "H" REQUIRES A MINIMUM LENGTH OF 4".



STATIC PRESSURE

-6"WG -10"WG

OTHER: _____

PART NUMBER	DESCRIPTION								GA	QTY	REMARKS
	A	B	C	D	E	F	G	H			

SSTEELCOAT[®] STRAIGHT w/STUB FLANGE