

VIRON[®] INTERNATIONAL CORP.

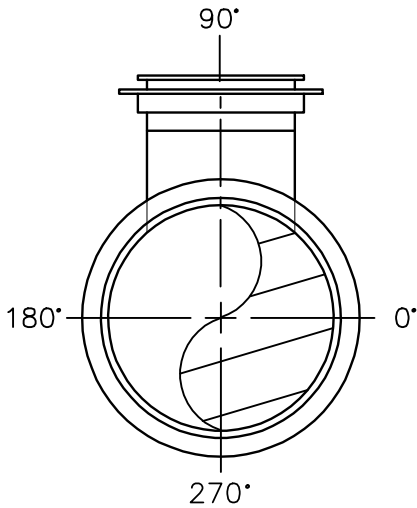
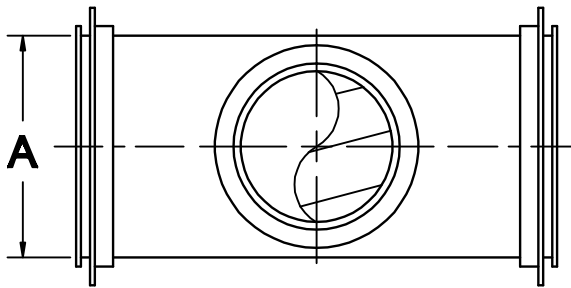
OWOSSO, MICHIGAN TEMPLE, TEXAS
 989-723-8255
 989-723-8417 FAX EMAIL: vironinfo@vironintl.com
 ENVIRONMENTAL CONTROL SYSTEMS

USER	
REP.	
JOB NO.	
DATE	SHEET OF
DRAWN BY	

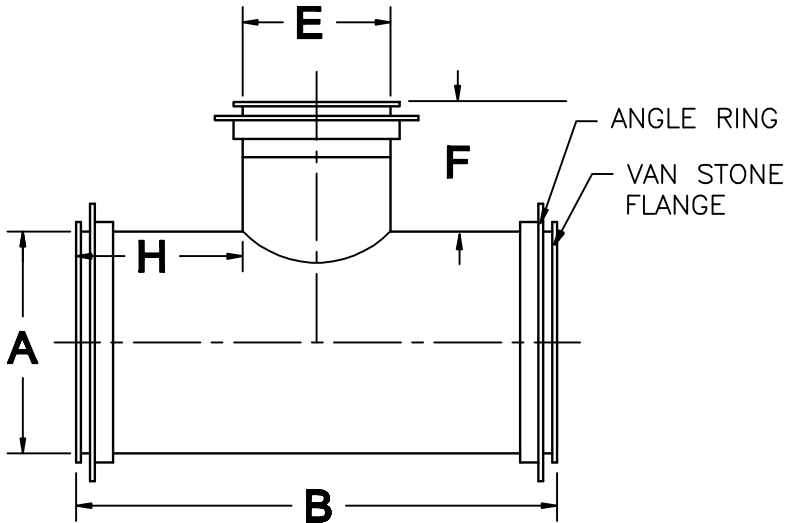
STANDARD DIAMETERS & LENGTHS

- 4"ø = 48" LONG
- 6"ø - 16"ø = 47¼" LONG
- 18"ø - 120"ø = 47" LONG

PLAN VIEW



END VIEW



ELEVATION VIEW

NOTES:

- 304L 316 L SST MATERIAL WITH 2B FINISH.
- 304 SST ANGLE RINGS DRILLED
- HALAR COATING, INTERIOR ONLY.
- FUSION WELDS ON ALL LONGITUDINAL SEAMS.
- ALL ANGLE RINGS OVER 30" DIA. WILL BE STITCHED WELDED.
- H REQUIRES A MINIMUM LENGTH OF 3".

STATIC PRESSURE

-6"WG -10"WG

OTHER: _____

PART NUMBER	DESCRIPTION					GA	QTY	REMARKS
	A	B	E	F	H			

SSTEELCOAT[®] STRAIGHT TEE