

**VIRON<sup>®</sup> INTERNATIONAL CORP.**

OWOSSO, MICHIGAN      TEMPLE, TEXAS

989-723-8255

989-723-8417 FAX    EMAIL: vironinfo@vironintl.com

ENVIRONMENTAL CONTROL SYSTEMS

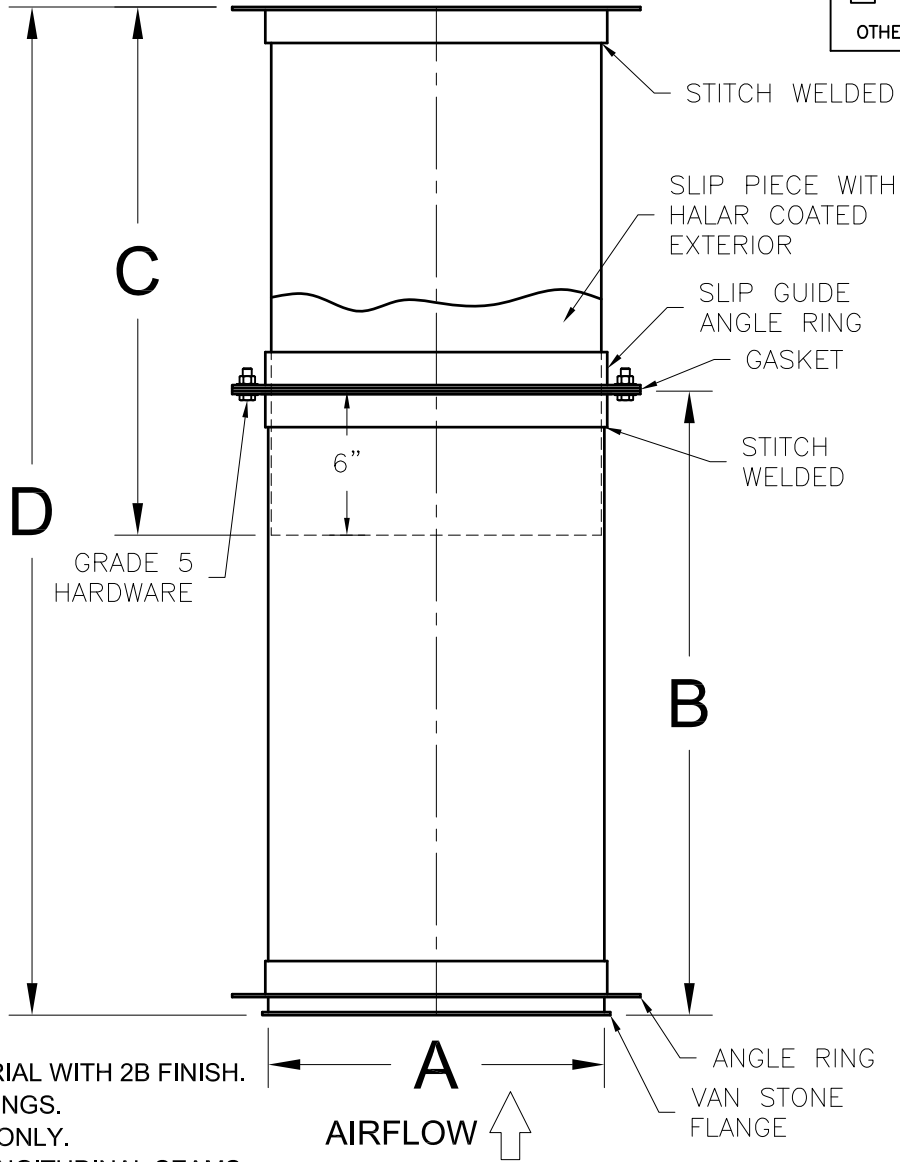
USER	
REP.	
JOB NO.	
DATE	SHEET OF
DRAWN BY	

**STANDARD DIAMETERS & LENGTHS**

- 4"Ø = 48" LONG
- 6"Ø - 16"Ø = 47¼" LONG
- 18"Ø & ABOVE = 47" LONG

STATIC PRESSURE

-6"WG     -10"WG  
 OTHER: \_\_\_\_\_



**NOTES:**

1.  304L  316L SST MATERIAL WITH 2B FINISH.
2. 304 SST DRILLED ANGLE RINGS.
3. HALAR COATED INTERIOR ONLY.
4. FUSION WELDS ON ALL LONGITUDINAL SEAMS.
5. FOR **VERTICAL** AIRFLOW ONLY.

PART NO.	DESCRIPTION				GA	QTY	REMARKS
	A	B	C	D			

**SSTEELCOAT<sup>®</sup> VERTICAL EXPANSION JOINT**