

VIRON® INTERNATIONAL CORP.

OWOSSO, MICHIGAN TEMPLE, TEXAS

989-723-8255

989-723-8417 FAX

EMAIL: vironinfo@vironintl.com

ENVIRONMENTAL CONTROL SYSTEMS

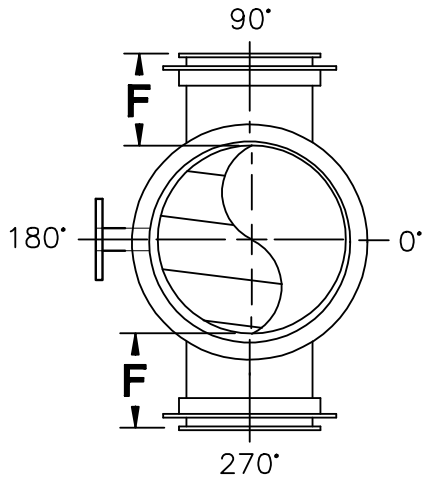
USER	
REP.	
JOB NO.	
DATE	SHEET OF
DRAWN BY	

STANDARD DIAMETERS & LENGTHS

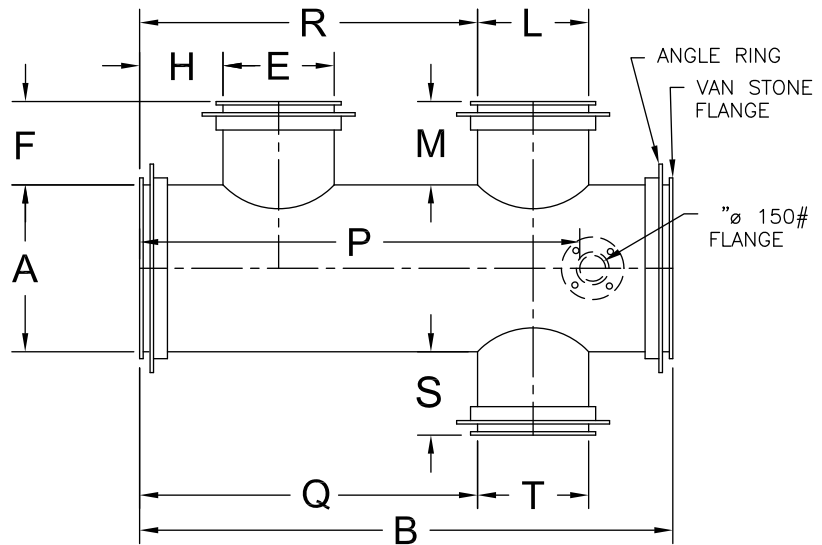
4"Ø = 48" LONG

6"Ø - 16"Ø = 47¼" LONG

18"Ø - 120"Ø = 47" LONG



END VIEW



NOTES:

1. 304L 316L SST MATERIAL WITH 2B FINISH.
2. 304 SST ANGLE RINGS DRILLED.
3. HALAR COATING, INTERIOR ONLY.
4. TIG WELDS ONLY.
5. FUSION WELDS ON ALL LONGITUDINAL SEAMS.
6. "H" REQUIRES A 6" MINIMUM LENGTH.
7. "F" REQUIRES A MINIMUM LENGTH OF 4".
8. "M" REQUIRES A MINIMUM LENGTH OF 4".

STATIC PRESSURE

-6"WG -10"WG

OTHER: _____

PART NUMBER	DESCRIPTION									GA	QTY
	A	B	E	F	H	L	M	P	Q		
	R	S	T								

SSTEELCOAT® TEE & DRAIN