

**VIRON<sup>®</sup> INTERNATIONAL CORP.**

OWOSSO, MICHIGAN      TEMPLE, TEXAS

989-723-8255

989-723-8417 FAX      EMAIL: vironinfo@vironintl.com

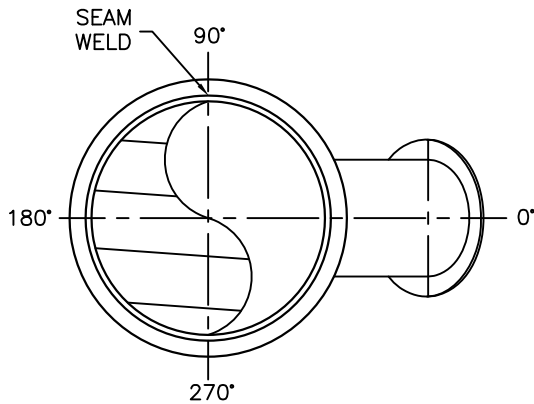
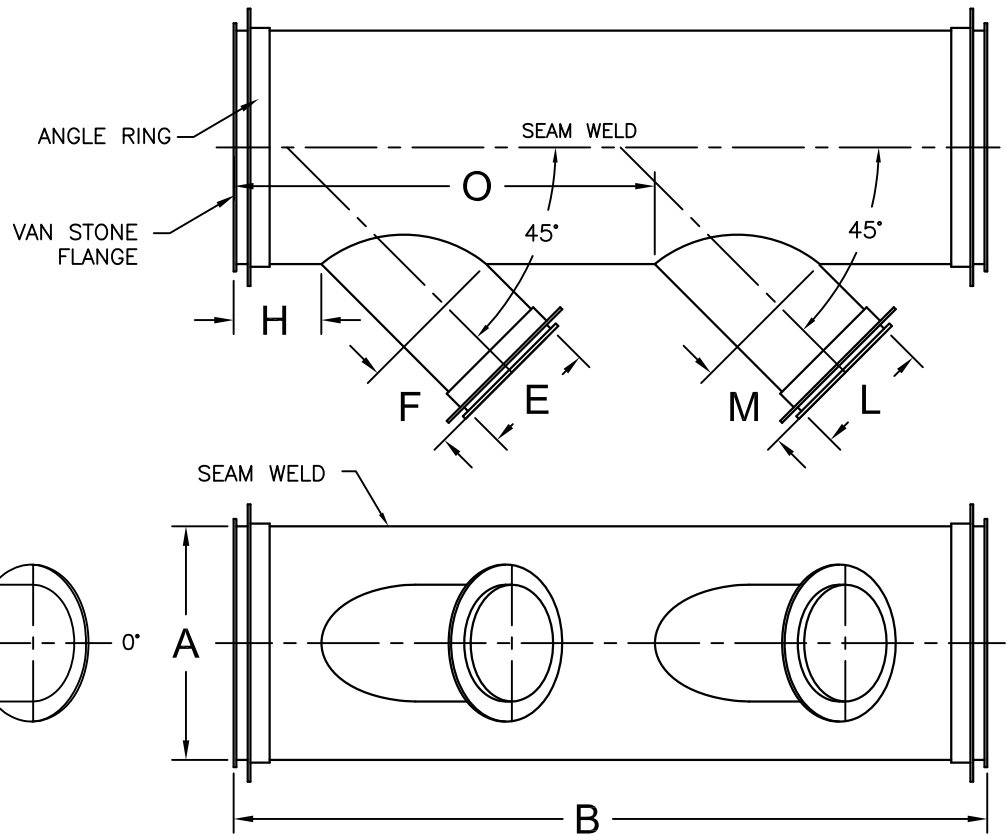
ENVIRONMENTAL CONTROL SYSTEMS

USER		
REP.		
JOB NO.		
DATE	SHEET	OF
DRAWN BY		

**STANDARD DIAMETERS & LENGTHS**

- 4"Ø = 48" LONG
- 6"Ø - 16"Ø = 47¼" LONG
- 18"Ø - 120"Ø = 47" LONG

**PLAN VIEW**



**END VIEW**

**ELEV. VIEW**

**NOTES:**

- 304L  316L SST MATERIAL WITH 2B FINISH.
- 304 SST ANGLE RINGS DRILLED.
- HALAR COATING, INTERIOR ONLY.
- TIG WELDS ONLY.
- FUSION WELDS ON ALL LONGITUDINAL SEAMS.
- F & H REQUIRE A 6" MINIMUM LENGTH.

STATIC PRESSURE

-6" WG     -10" WG

OTHER: \_\_\_\_\_

PART NUMBER	DESCRIPTION								GA	QTY	REMARKS
	A	B	E	F	H	L	M	O			

**SSTEELCOAT<sup>®</sup> DOUBLE 45° LATERAL**