

**VIRON<sup>®</sup> INTERNATIONAL CORP.**

OWOSSO, MICHIGAN      TEMPLE, TEXAS  
989-723-8255

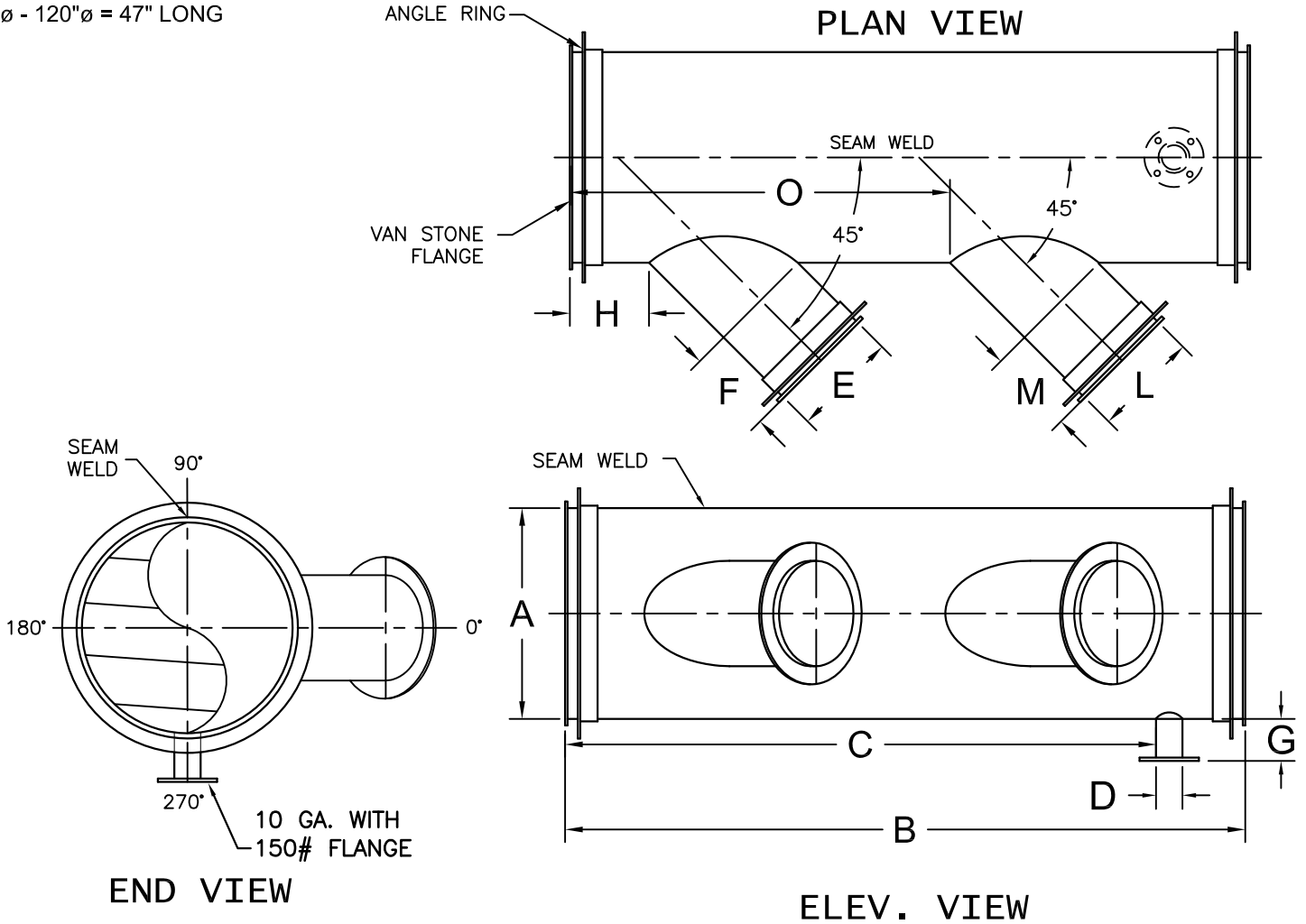
989-723-8417 FAX      EMAIL: vironinfo@vironintl.com

ENVIRONMENTAL CONTROL SYSTEMS

USER		
REP.		
JOB NO.		
DATE	SHEET	OF
DRAWN BY		

**STANDARD DIAMETERS & LENGTHS**

- 4"ø = 48" LONG
- 6"ø - 16"ø = 47¼" LONG
- 18"ø - 120"ø = 47" LONG



- NOTES:
- 304L  316L SST MATERIAL WITH 2B FINISH.
  - 304 SST ANGLE RINGS DRILLED.
  - HALAR COATING, INTERIOR ONLY.
  - TIG WELDS ONLY.
  - FUSION WELDS ON ALL LONGITUDINAL SEAMS.
  - F & H REQUIRE A 6" MINIMUM LENGTH.

STATIC PRESSURE

-6"WG     -10"WG

OTHER: \_\_\_\_\_

PART NUMBER	DESCRIPTION											GA	QTY	REMARKS		
	A	B	C	D	E	F	G	H	L	M	O					

**SSTEELCOAT<sup>®</sup> DOUBLE 45° LATERAL**