

VIRON® INTERNATIONAL CORP.

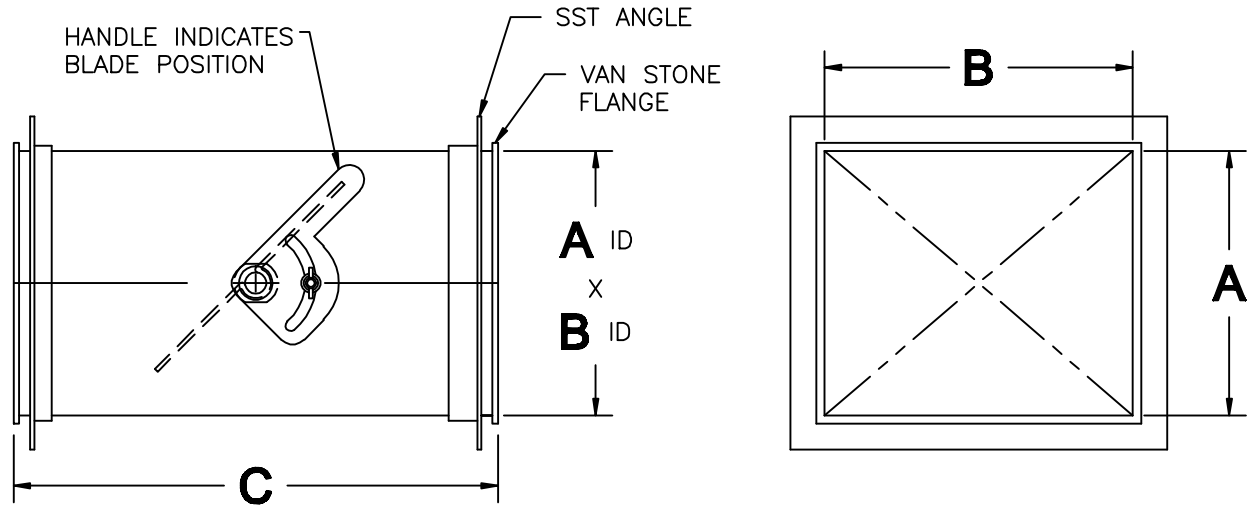
OWOSSO, MICHIGAN TEMPLE, TEXAS

989-723-8255

989-723-8417 FAX EMAIL: vironinfo@vironintl.com

ENVIRONMENTAL CONTROL SYSTEMS

| | | |
|----------|-------|----|
| USER | | |
| REP. | | |
| JOB NO. | | |
| DATE | SHEET | OF |
| DRAWN BY | | |



NOTES:

- 304L 316L SST MATERIAL WITH 2B FINISH.
- 304 SST ANGLE DRILLED.
- HALAR COATING, INTERIOR ONLY.
- TIG WELDS ONLY.
- FUSION WELDS ON ALL LONGITUDINAL SEAMS.

STATIC PRESSURE

-6"WG -10"WG

OTHER: _____

| PART NUMBER | DESCRIPTION | | | GA | QTY | REMARKS |
|-------------|-------------|---|---|----|-----|---------|
| | A | B | C | | | |
| | | | | | | |
| | | | | | | |
| | | | | | | |
| | | | | | | |
| | | | | | | |
| | | | | | | |
| | | | | | | |
| | | | | | | |
| | | | | | | |
| | | | | | | |

SSTEELCOAT® RECTANGULAR DAMPER