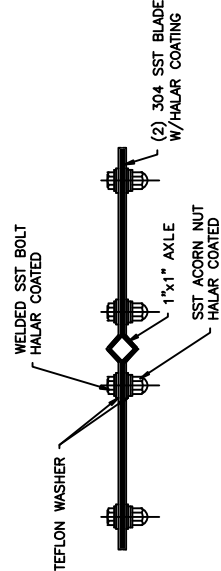
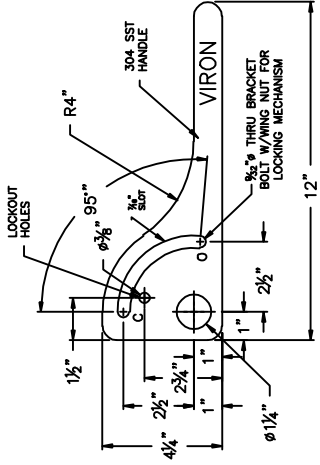


HOUSING THICKNESS	
DAMPER DIA.	MAT'L Ga.
18"-30"φ	18 Ga.
32"-36"φ	16 Ga.
38"-48"φ	14 Ga.

BLADE THICKNESS		AXLE φ	
DAMPER DIA.	MAT'L Ga.	SIZE	1" DIA.
18"-36"φ	14 Ga.	1" DIA.	
38"-48"φ	12 Ga.	1" DIA.	

18"φ-36"φ DAMPER HANDLE

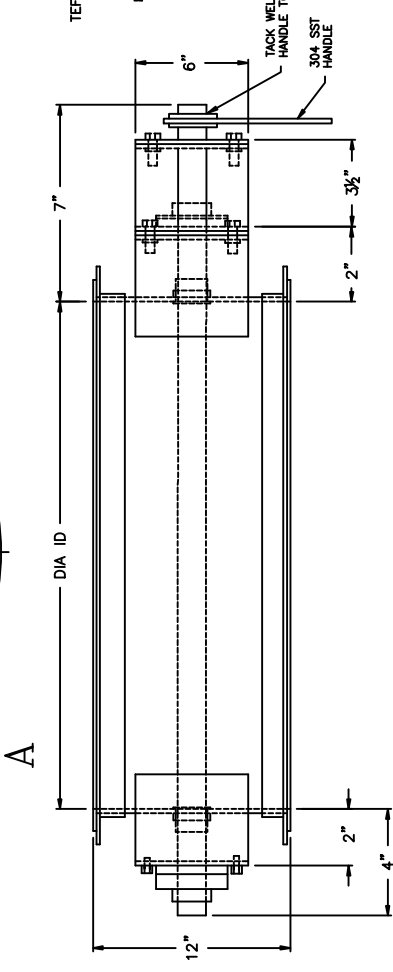
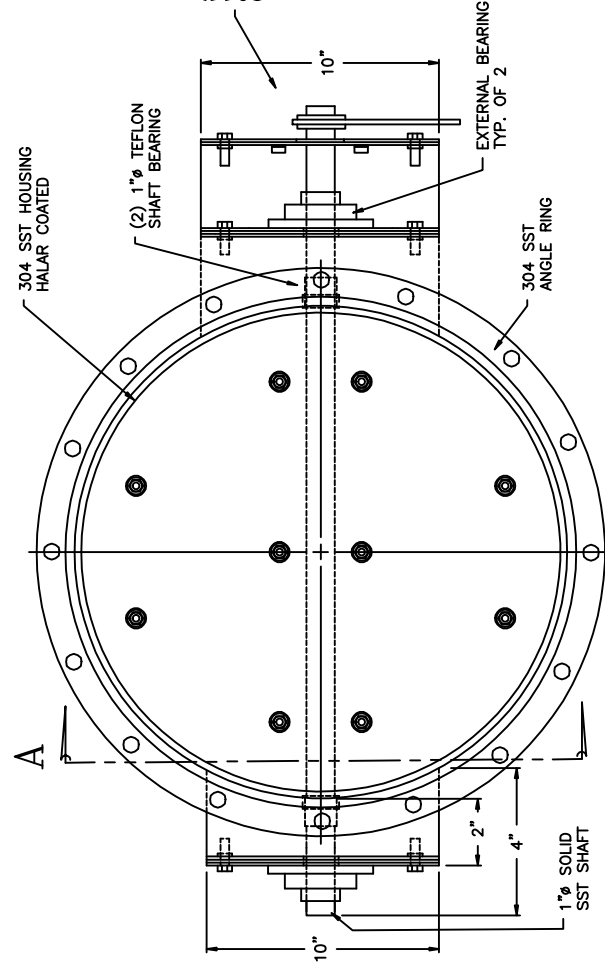


STATIC PRESSURE

-6" W.G.

-10" W.G.

-30" W.G.



section A-A

NOTE:
1. ALL SST MATERIAL IN THE AIRSTREAM WILL HAVE HALAR COATING.

**18"-48" DIAMETER
304 SST/HALAR INDUSTRIAL
BUTTERFLY DAMPER**

USER	
REP.	
JOB NO.	
DATE	
DRAWN BY	
SHEET	OF



VIRON INTERNATIONAL CORP.
 CWOSSO, MICHIGAN TEMPLE, TEXAS
 989-723-8255
 989-723-8417 FAX EMAIL: vironinfo@vironintl.com
 ENVIRON MENTAL CONTROL SYSTEMS