

**VIRON<sup>®</sup> INTERNATIONAL CORP.**

OWOSSO, MICHIGAN      TEMPLE, TEXAS

989-723-8255

989-723-8417 FAX

EMAIL: vironinfo@vironintl.com

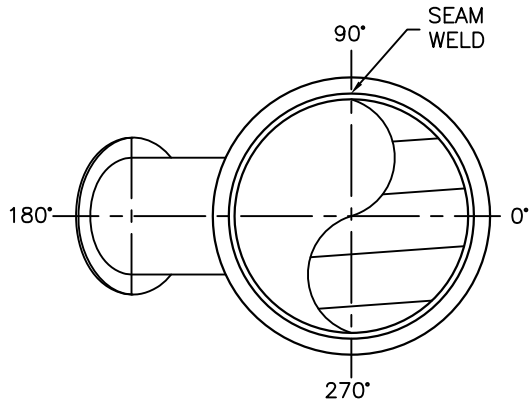
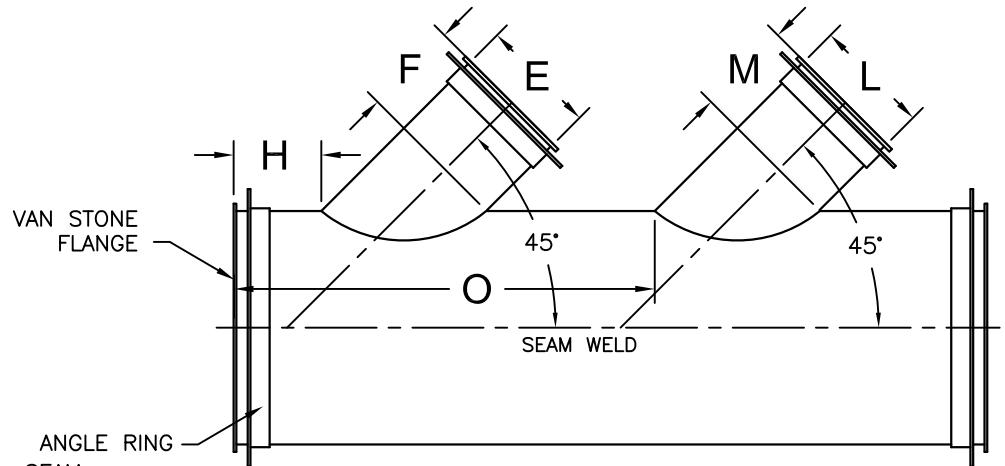
ENVIRONMENTAL CONTROL SYSTEMS

|          |       |    |
|----------|-------|----|
| USER     |       |    |
| REP.     |       |    |
| JOB NO.  |       |    |
| DATE     | SHEET | OF |
| DRAWN BY |       |    |

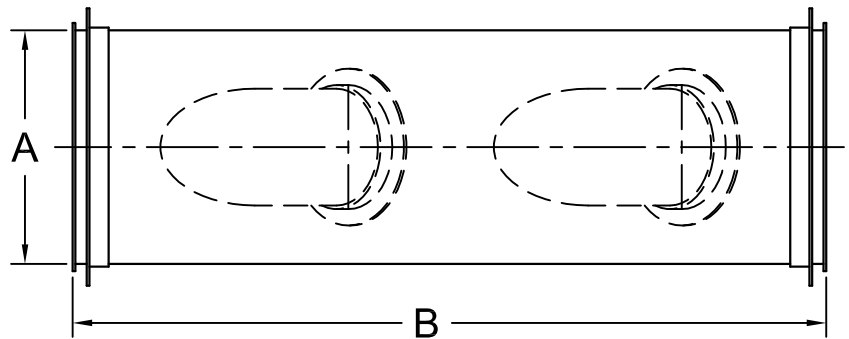
**STANDARD DIAMETERS & LENGTHS**

- 4"Ø = 48" LONG
- 6"Ø - 16"Ø = 47¼" LONG
- 18"Ø - 120"Ø = 47" LONG

**PLAN VIEW**



**END VIEW**



**ELEV. VIEW**

**NOTES:**

1.  304L  316L SST MATERIAL WITH 2B FINISH.
2. 304 SST ANGLE RINGS DRILLED.
3. HALAR COATING, INTERIOR ONLY.
4. TIG WELDS ONLY.
5. FUSION WELDS ON ALL LONGITUDINAL SEAMS.
6. F & H REQUIRE A 6" MINIMUM LENGTH.

STATIC PRESSURE

-6"WG     -10"WG

OTHER: \_\_\_\_\_

| PART NUMBER | DESCRIPTION |   |   |   |   |   |   | GA | QTY |  |
|-------------|-------------|---|---|---|---|---|---|----|-----|--|
|             | A           | B | E | F | H | L | M |    |     |  |
|             |             |   |   |   |   |   |   |    |     |  |
|             |             |   |   |   |   |   |   |    |     |  |

**SSTEELCOAT<sup>®</sup> DOUBLE 45° LATERAL**