

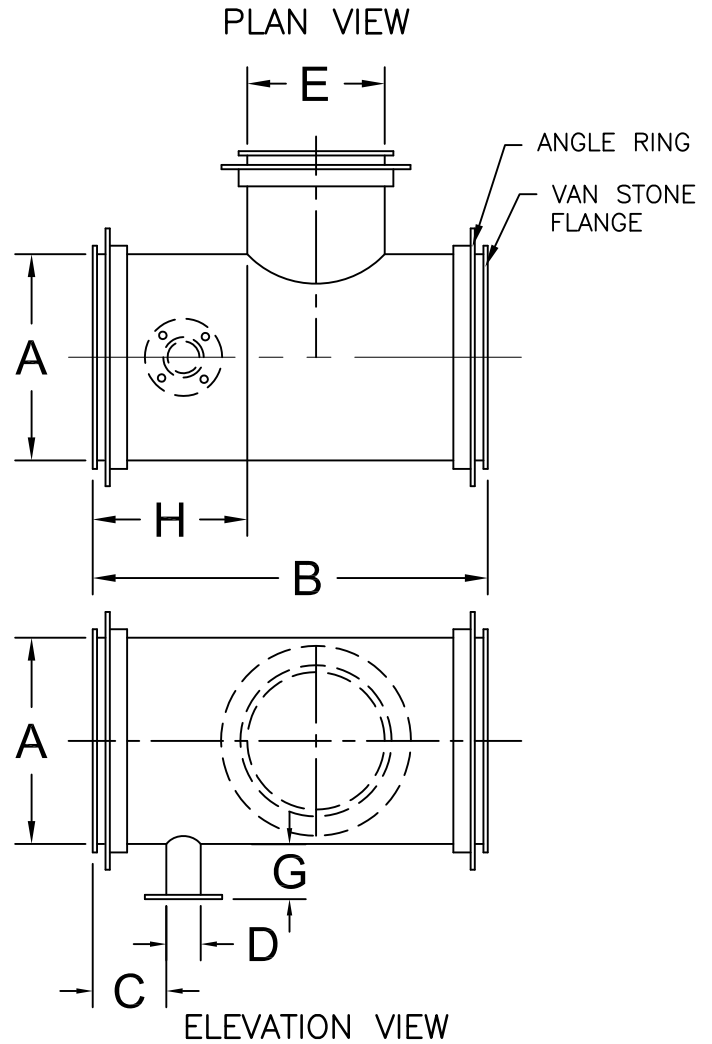
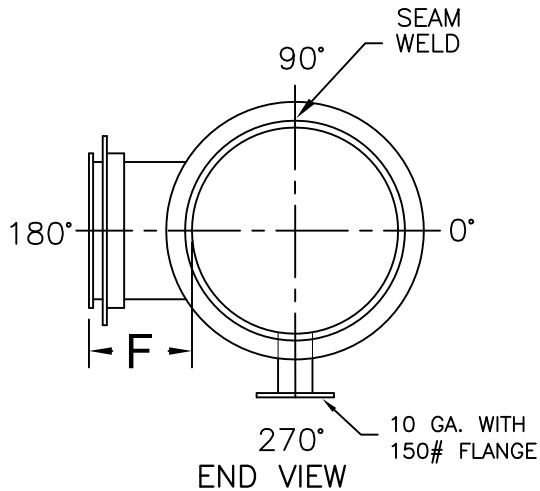
VIRON[®] INTERNATIONAL CORP.

OWOSSO, MICHIGAN TEMPLE, TEXAS
 989-723-8255
 989-723-8417 FAX EMAIL: vironinfo@vironintl.com
 ENVIRONMENTAL CONTROL SYSTEMS

| | | |
|----------|-------|----|
| USER | | |
| REP. | | |
| JOB NO. | | |
| DATE | SHEET | OF |
| DRAWN BY | | |

STANDARD DIAMETERS & LENGTHS

- 4"Ø = 48" LONG
- 6"Ø - 16"Ø = 47¼" LONG
- 18"Ø - 120"Ø = 47" LONG



NOTES:

1. 304L 316L SST MATERIAL WITH 2B FINISH.
2. 304 SST ANGLE RINGS DRILLED.
3. HALAR COATING, INTERIOR ONLY.
4. TIG WELDS ONLY.
5. FUSION WELDS ON ALL LONGITUDINAL SEAMS.
6. "F" REQUIRES A 6" MINIMUM LENGTH.
7. "H" REQUIRES A MINIMUM LENGTH OF 4".

STATIC PRESSURE

- 6"WG -10"WG

OTHER: _____

| PART NUMBER | DESCRIPTION | | | | | | | | GA | QTY | REMARKS |
|-------------|-------------|---|---|---|---|---|---|---|----|-----|---------|
| | A | B | C | D | E | F | G | H | | | |
| | | | | | | | | | | | |
| | | | | | | | | | | | |
| | | | | | | | | | | | |
| | | | | | | | | | | | |

SSTEELCOAT[®] STRAIGHT w/STUB FLANGE