

VIRON[®] INTERNATIONAL CORP.

OWOSSO, MICHIGAN TEMPLE, TEXAS

989-723-8255

989-723-8417 FAX

EMAIL: vironinfo@vironintl.com

ENVIRONMENTAL CONTROL SYSTEMS

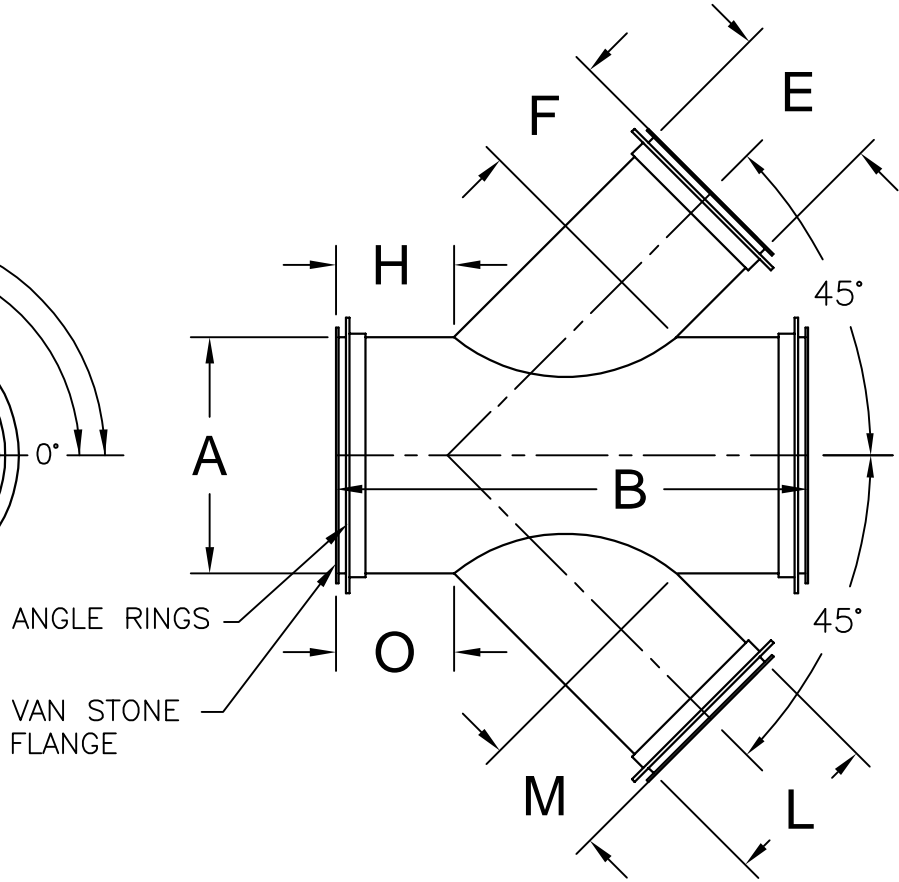
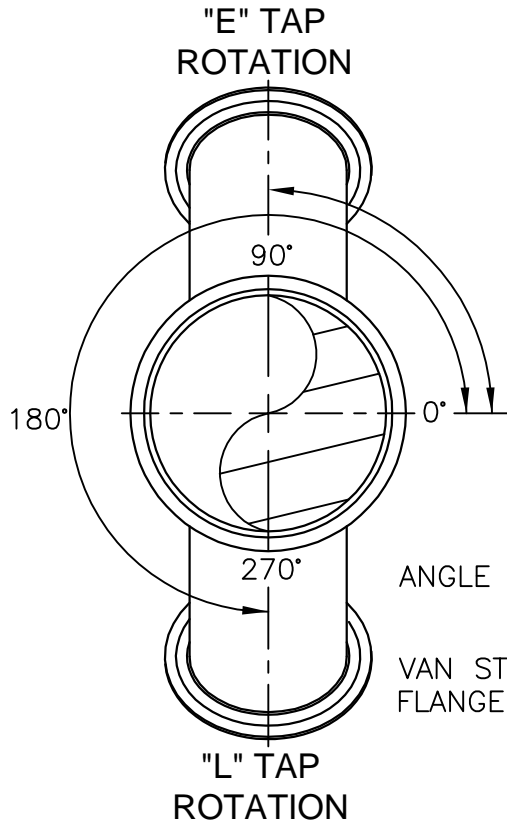
USER		
REP.		
JOB NO.		
DATE	SHEET	OF
DRAWN BY		

STANDARD DIAMETERS & LENGTHS

4"ø = 48" LONG

6"ø - 16"ø = 47¼" LONG

18"ø - 120"ø = 47" LONG



NOTES:

- 304L 316 L SST MATERIAL WITH 2B FINISH.
- 304 SST ANGLE RINGS DRILLED.
- HALAR COATING, INTERIOR ONLY.
- TIG WELDS ONLY.
- FUSION WELDS ON ALL LONGITUDINAL SEAMS.
- F, H, M & O REQUIRE A 3" MINIMUM LENGTH.

STATIC PRESSURE

-6"WG -10"WG

OTHER: _____

PART NUMBER	DESCRIPTION										GA	QTY		
	A	B	E	"E" TAP ROTATION	F	H	L	"L" TAP ROTATION	M	O				
				.				.						
				.				.						
				.				.						
				.				.						

SSTEELCOAT[®] - 45° OPPOSED DOUBLE WYE