

VIRON INTERNATIONAL CORP.

OWOSSO, MICHIGAN TEMPLE, TEXAS

989-723-8255

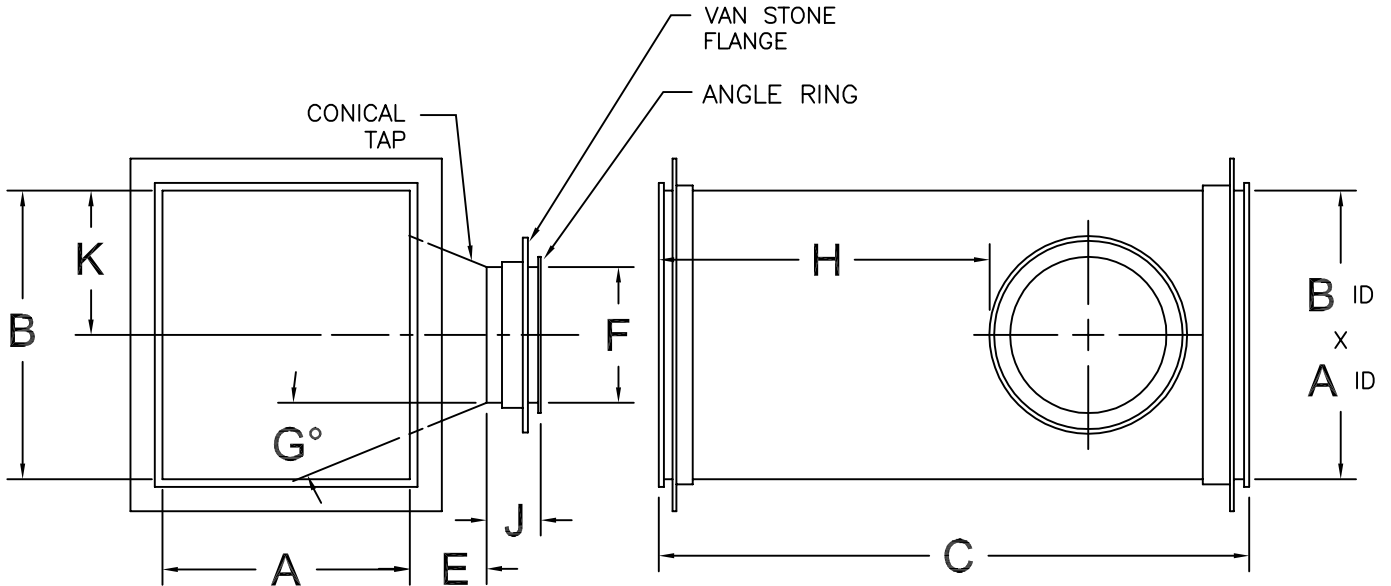
989-723-8417 FAX EMAIL: vironinfo@vironintl.com

VIRONMENTAL CONTROL SYSTEMS

USER	
REP.	
JOB NO.	
DATE	SHEET OF
DRAWN BY	

STANDARD LENGTHS

47" LONG



NOTES:

- 304L 316L SST MATERIAL WITH 2B FINISH.
- 304 SST ANGLE DRILLED
- HALAR COATING, INTERIOR ONLY.
- FUSION WELDS ON ALL LONGITUDINAL SEAMS.
- TIG WELDS ONLY.

STATIC PRESSURE

-6"WG -10"WG

OTHER: _____

PART NUMBER	DESCRIPTION									GA	QTY	REMARKS
	A	B	C	E	F	G°	H	J	K			

SST RECTANGULAR STRAIGHT w/CONICAL TAP