

VIRON[®] INTERNATIONAL CORP.

OWOSSO, MICHIGAN TEMPLE, TEXAS
 989-723-8255 EMAIL: vironinfo@vironintl.com
 989-723-8417 FAX

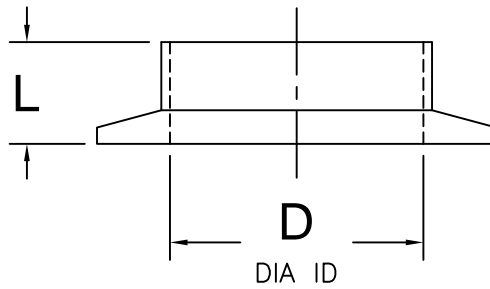
EN VIRON MENTAL CONTROL SYSTEMS

| | |
|----------|----------|
| USER | |
| REP. | |
| JOB NO. | |
| DATE | SHEET OF |
| DRAWN BY | |

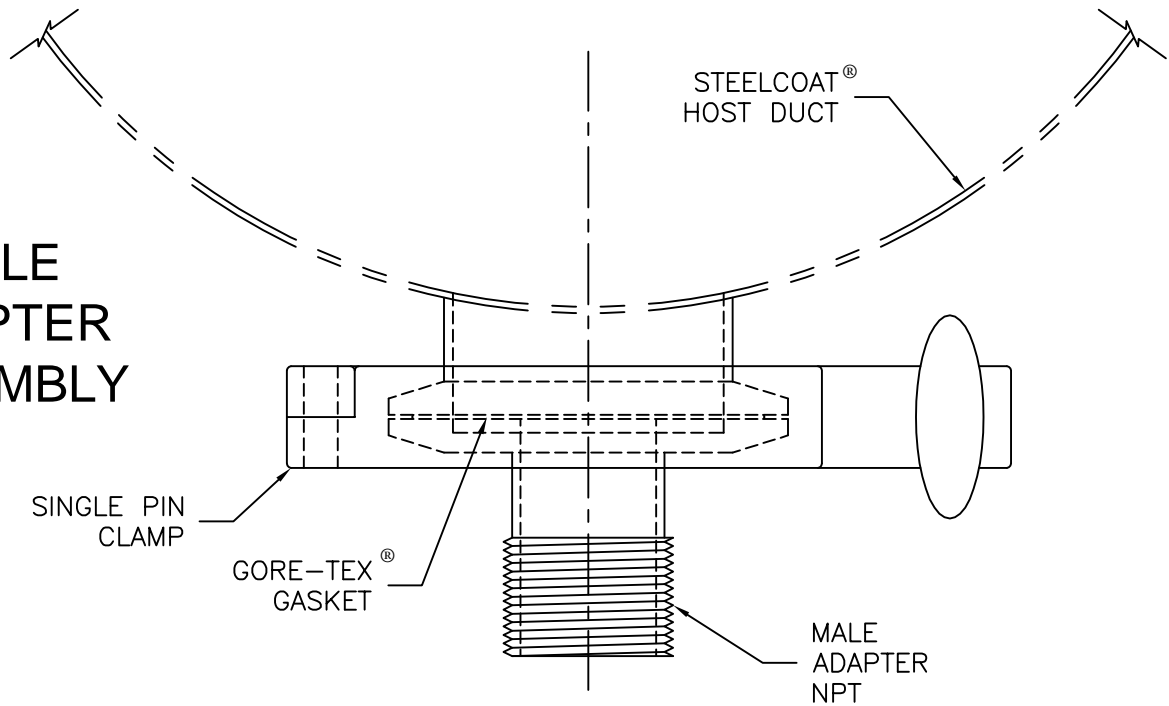
VIRON STUB FLANGE

(WELDED TO HOST DUCT)

| PART NUMBER | D | L |
|-------------|----|--------|
| VSC-FL-2 | 2" | 1 1/8" |
| VSC-FL-3 | 3" | 1 1/8" |
| VSC-FL-4 | 4" | 1 1/8" |

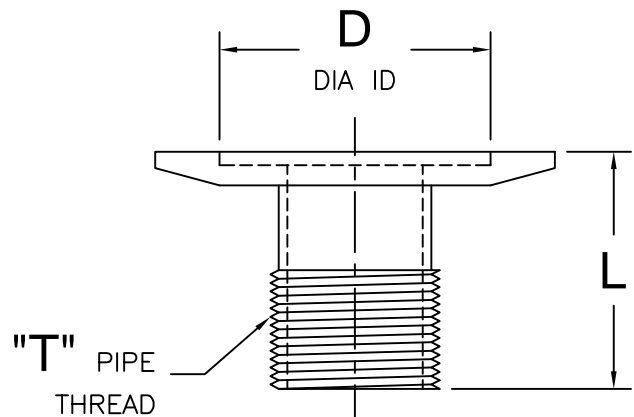


MALE ADAPTER ASSEMBLY



304 SST HALAR COATED

| PART NUMBER | FITTING SIZES | D | L | T | QTY |
|-------------|---------------|----|--------|--------|-----|
| | 2" TO 1/4" | 2" | 1 1/4" | 1/4" | |
| | 2" TO 3/8" | 2" | 1 1/4" | 3/8" | |
| | 2" TO 1/2" | 2" | 1 1/4" | 1/2" | |
| | 2" TO 3/4" | 2" | 1 1/4" | 3/4" | |
| | 2" TO 1" | 2" | 1 1/4" | 1" | |
| | 2" TO 1 1/2" | 2" | 1 1/4" | 1 1/2" | |
| | 2" TO 2" | 2" | 2 1/4" | 2" | |
| | 3" TO 1" | 3" | 2 1/2" | 1" | |
| | 3" TO 2" | 3" | 2 1/2" | 2" | |



VIRON MALE ADAPTER FITTING