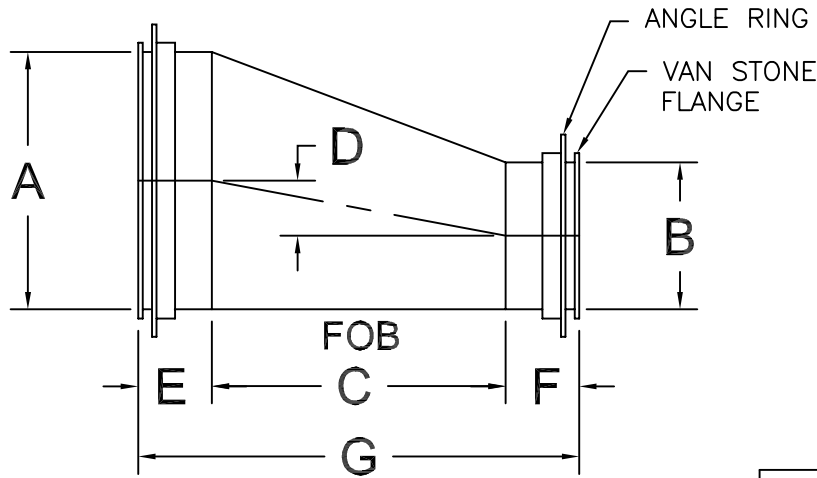


**VIRON**® INTERNATIONAL CORP.

OWOSSO, MICHIGAN    TEMPLE, TEXAS  
 989-723-8255  
 989-723-8417 FAX    EMAIL: vironinfo@vironintl.com  
**ENVIRON**MENTAL CONTROL SYSTEMS

USER		
REP.		
JOB NO.		
DATE	SHEET	OF
DRAWN BY		

**STANDARD DIAMETERS**  
**"A-B" = 4"-120"**



STANDARD LENGTHS	
A-B	C
6" & UNDER	12"
8"	14"
10" TO 12"	24"
14" TO 18"	30"
STATIC PRESSURE	
<input type="checkbox"/> -6"WG	<input type="checkbox"/> -10"WG
OTHER: _____	

**NOTES:**

- 304L     316 L SST MATERIAL WITH 2B FINISH.
- 304 SST ANGLE RINGS DRILLED
- HALAR COATING, INTERIOR ONLY.
- TIG WELDS ONLY.
- FUSION WELDS ON ALL LONGITUDINAL SEAMS.
- E & F REQUIRE A 3" MIN. LENGTH.

PART NUMBER	DESCRIPTION							GA	QTY	REMARKS
	A	B	C	D	E	F	G			

**SSTEELCOAT**® REDUCER FLAT ON BOTTOM