

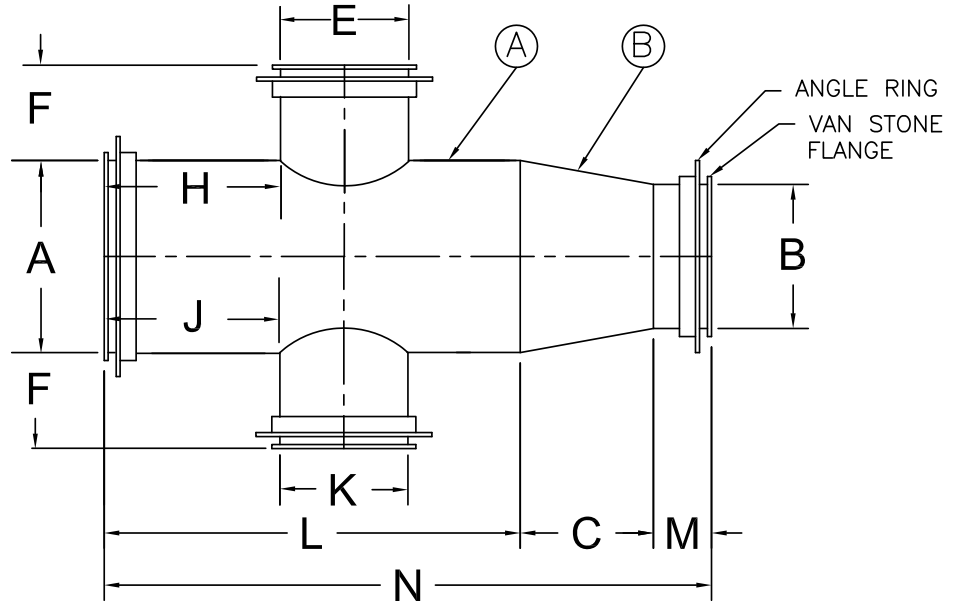
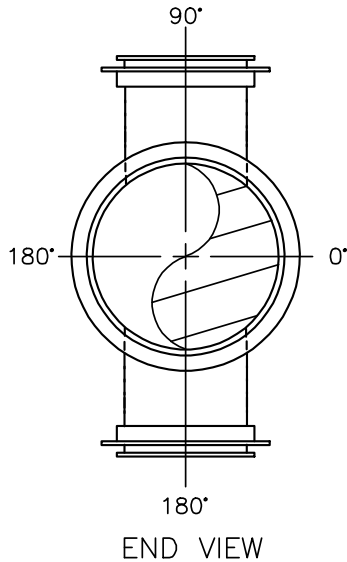
# VIRON<sup>®</sup> INTERNATIONAL CORP.

OWOSSO, MICHIGAN    TEMPLE, TEXAS  
 989-723-8255  
 989-723-8417 FAX    EMAIL: vironinfo@vironintl.com  
 ENVIRONMENTAL CONTROL SYSTEMS

USER	
REP.	
JOB NO.	
DATE	SHEET OF
DRAWN BY	

## STANDARD DIAMETERS & LENGTHS

4"∅ = 48" LONG  
 6"∅ - 16"∅ = 47¼" LONG  
 18"∅ - 120"∅ = 47" LONG



**NOTES:**

1.  304L  316L SST MATERIAL WITH 2B FINISH.
2. 304 SST ANGLE RINGS DRILLED.
3. HALAR COATING, INTERIOR ONLY.
4. TIG WELDS ONLY.
5. FUSION WELDS ON ALL LONGITUDINAL SEAMS.
6. F REQUIRES A 6" MINIMUM LENGTH.
7. H REQUIRES A MINIMUM LENGTH OF 1/2 E + 4".

STATIC PRESSURE

-6"WG     -10"WG

OTHER: \_\_\_\_\_

PART NO.	DESCRIPTION											GA	QTY	
	A	B	C	E	F	H	J	K	L	M	N			
A														
B														
A														
B														
A														
B														

## STEELCOAT<sup>®</sup> TEE w/CONCENTRIC TAPER