

# VIRON<sup>®</sup> INTERNATIONAL CORP.

OWOSSO, MICHIGAN      TEMPLE, TEXAS

989-723-8255

989-723-8417 FAX

EMAIL: vironinfo@vironintl.com

ENVIRONMENTAL CONTROL SYSTEMS

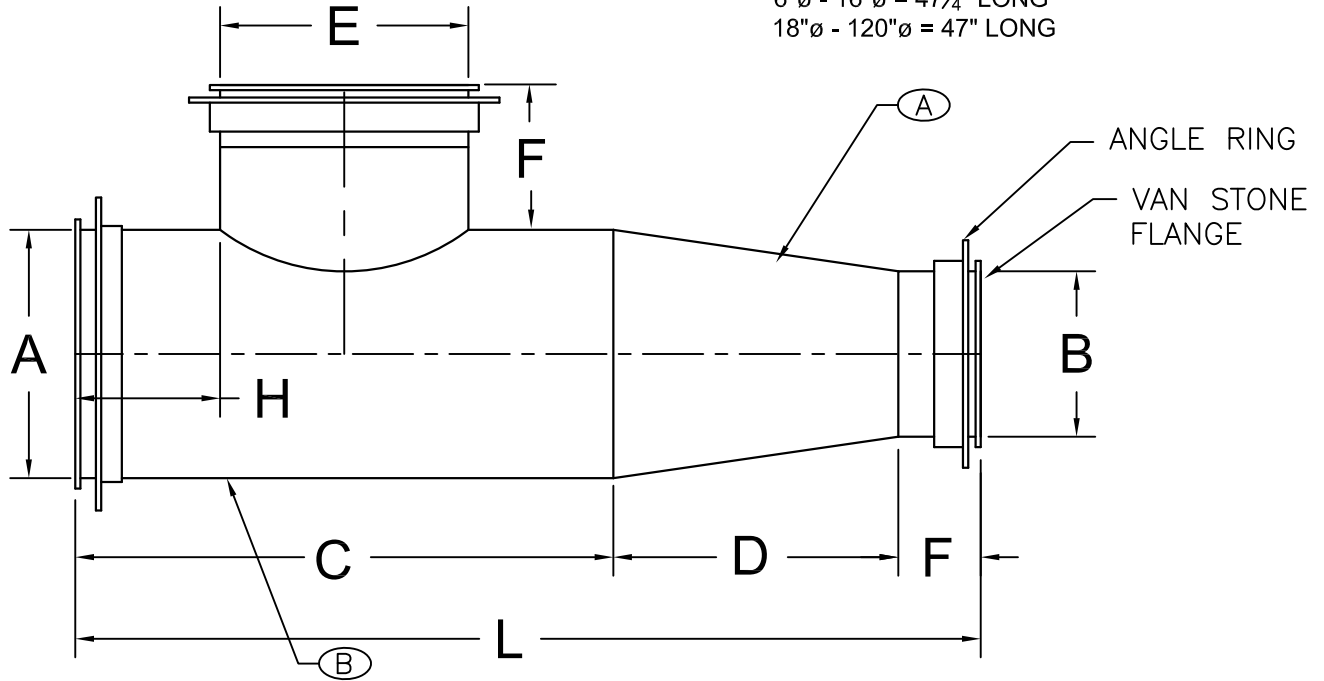
USER	
REP.	
JOB NO.	
DATE	SHEET OF
DRAWN BY	

## STANDARD DIAMETERS & LENGTHS

4"ø = 48" LONG

6"ø - 16"ø = 47¼" LONG

18"ø - 120"ø = 47" LONG



### NOTES:

- 304L  316L SST MATERIAL WITH 2B FINISH.
- 304 SST ANGLE RINGS DRILLED
- HALAR COATING, INTERIOR ONLY.
- TIG WELDS ONLY.
- FUSION WELDS ON ALL LONGITUDINAL SEAMS.

### STATIC PRESSURE

-6"WG     -10"WG

OTHER: \_\_\_\_\_

PART NUMBER	DESCRIPTION									GA	QTY
	A	B	C	D	E	F	H	L			
A											
B											
	A	B	C	D	E	F	H	L			
A											
B											
	A	B	C	D	E	F	H	L			
A											
B											

## STEELCOAT<sup>®</sup> TEE w/CONCENTRIC TAPER