

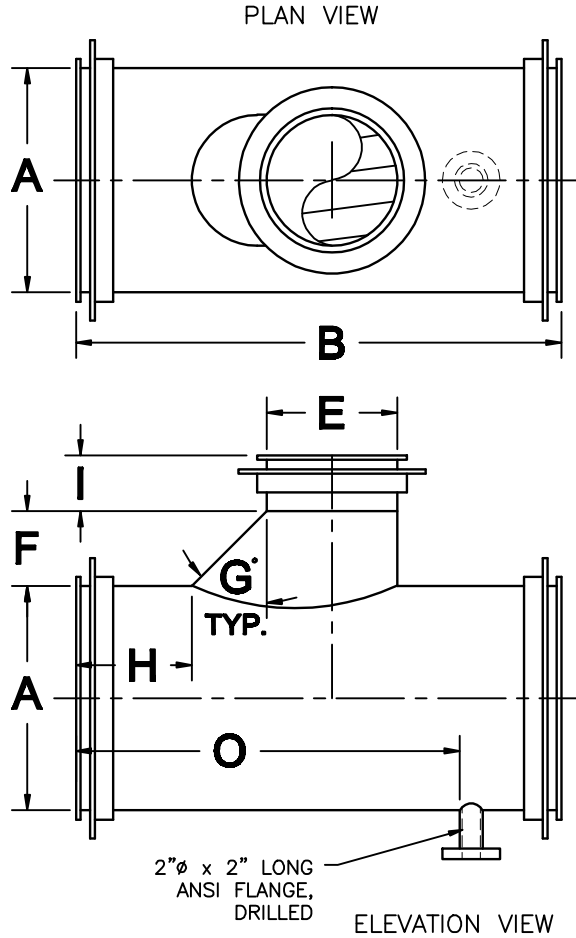
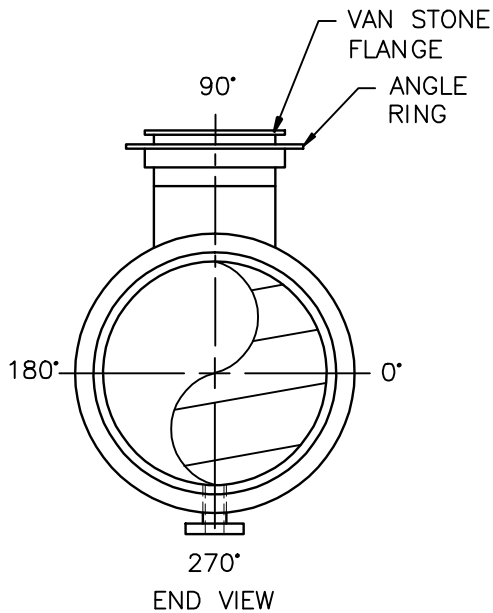
# VIRON<sup>®</sup> INTERNATIONAL CORP.

OWOSSO, MICHIGAN      TEMPLE, TEXAS  
 989-723-8255  
 989-723-8417 FAX      EMAIL: vironinfo@vironintl.com  
 ENVIRONMENTAL CONTROL SYSTEMS

USER		
REP.		
JOB NO.		
DATE	SHEET	OF
DRAWN BY		

## STANDARD DIAMETERS & LENGTHS

- 4"ø = 48" LONG
- 6"ø - 16"ø = 47¼" LONG
- 18"ø - 120"ø = 47" LONG



### NOTES:

1.  304L  316 L SST MATERIAL WITH 2B FINISH.
2. 304 SST ANGLE RINGS DRILLED
3. HALAR COATING, INTERIOR ONLY.
4. TIG WELDS ONLY.
5. FUSION WELDS ON ALL LONGITUDINAL SEAMS.
6. H REQUIRES A MINIMUM LENGTH OF 3".

### STATIC PRESSURE

-6"WG     -10"WG

OTHER: \_\_\_\_\_

PART NUMBER	DESCRIPTION									GA	QTY	REMARKS
	A	B	E	F	G	H	I	O				

# SSTEELCOAT<sup>®</sup> BOOT TEE & DRAIN