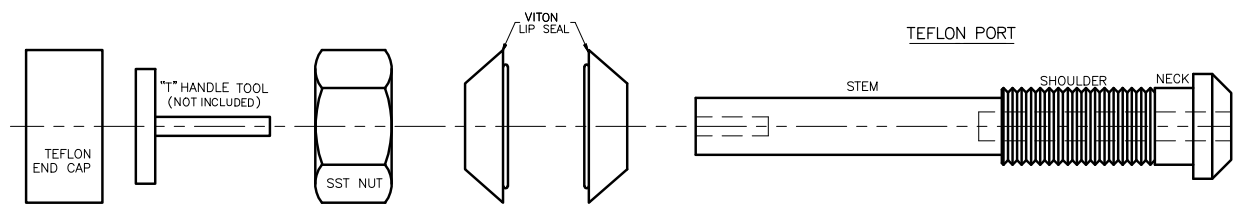
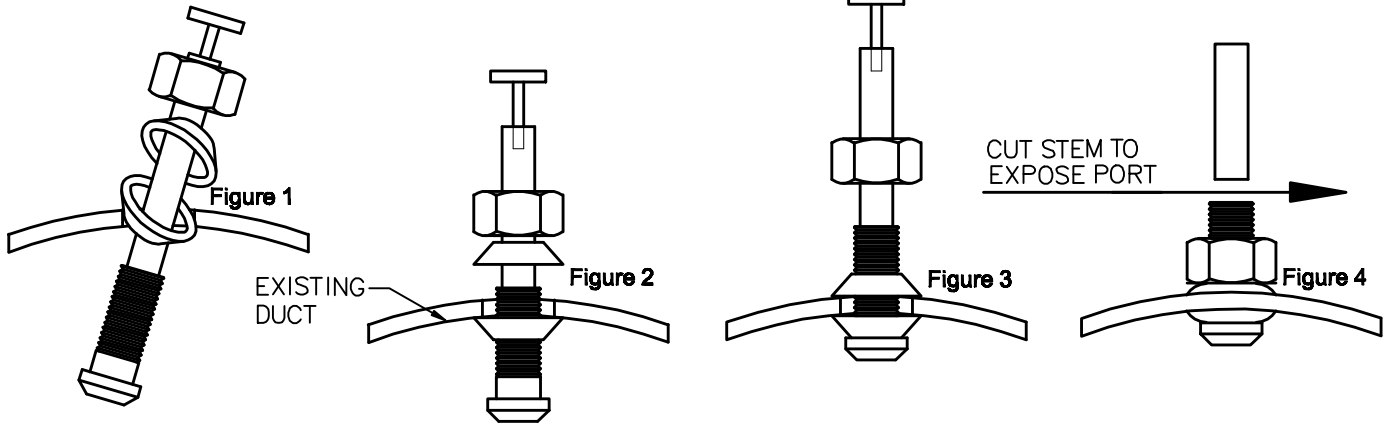


# VIRON<sup>®</sup> INTERNATIONAL CORP.

OWOSSO, MICHIGAN    TEMPLE, TEXAS  
 989-723-8255  
 989-723-8417 FAX    EMAIL: vironinfo@vironintl.com  
**ENVIRON**MENTAL CONTROL SYSTEMS

USER		
REP.		
JOB NO.		
DATE	SHEET	OF
DRAWN BY		



**NOTES:**

1. "T" HANDLE TOOL (NOT INCLUDED)

PART NUMBER	(OPENING) PORT SIZE	QTY	REMARKS
	1/4" $\phi$		
	1/2" $\phi$		
	3/4" $\phi$		

## VIRON<sup>®</sup> VIRO-PORT<sup>®</sup>