

VIRON® INTERNATIONAL CORP.

OWOSSO, MICHIGAN TEMPLE, TEXAS

989-723-8255

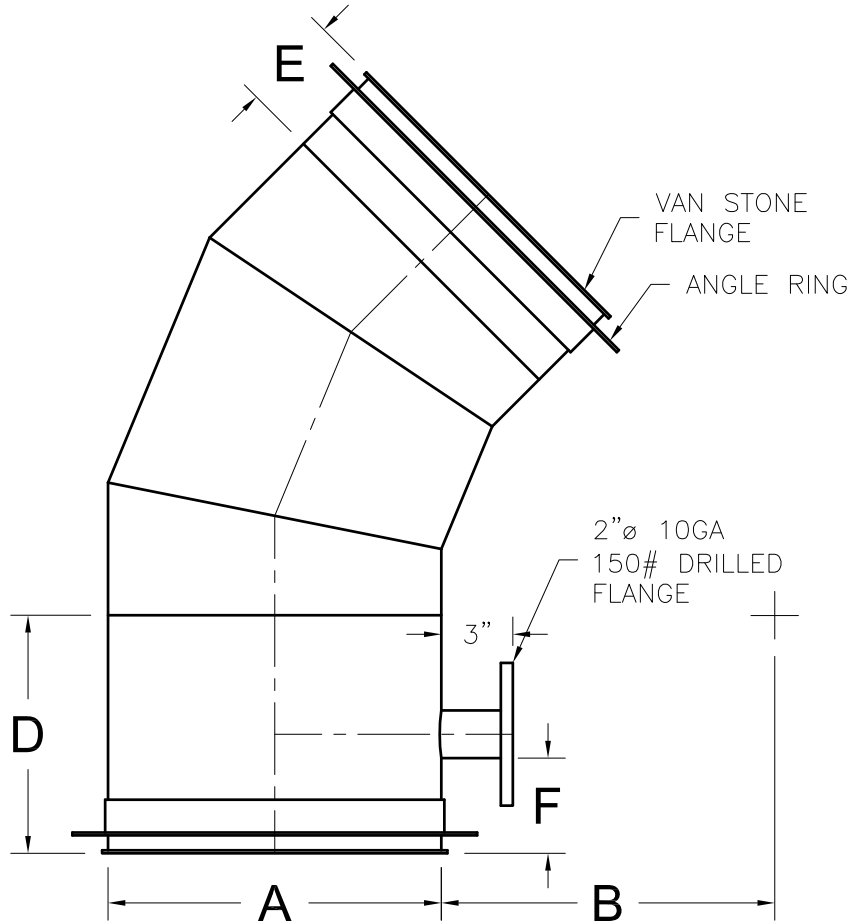
989-723-8417 FAX EMAIL: vironinfo@vironintl.com

ENVIRONMENTAL CONTROL SYSTEMS

USER	
REP.	
JOB NO.	
DATE	SHEET OF
DRAWN BY	

STANDARD DIAMETERS

4"Ø - 120"Ø



NOTES:

- 304L 316L SST MATERIAL WITH 2B FINISH.
- 304 SST DRILLED ANGLE RINGS.
- HALAR COATED INTERIOR ONLY.
- FUSION WELDS ON ALL LONGITUDINAL SEAMS.

STATIC PRESSURE

-6"WG -10"WG

OTHER: _____

PART NO.	DESCRIPTION					GA	QTY	REMARKS
	A	B	D	E	F			

SSTEELCOAT® 45° ELBOW (3-GORE) + STRAIGHT & TAP