

**VIRON<sup>®</sup> INTERNATIONAL CORP.**

OWOSSO, MICHIGAN      TEMPLE, TEXAS

989-723-8255

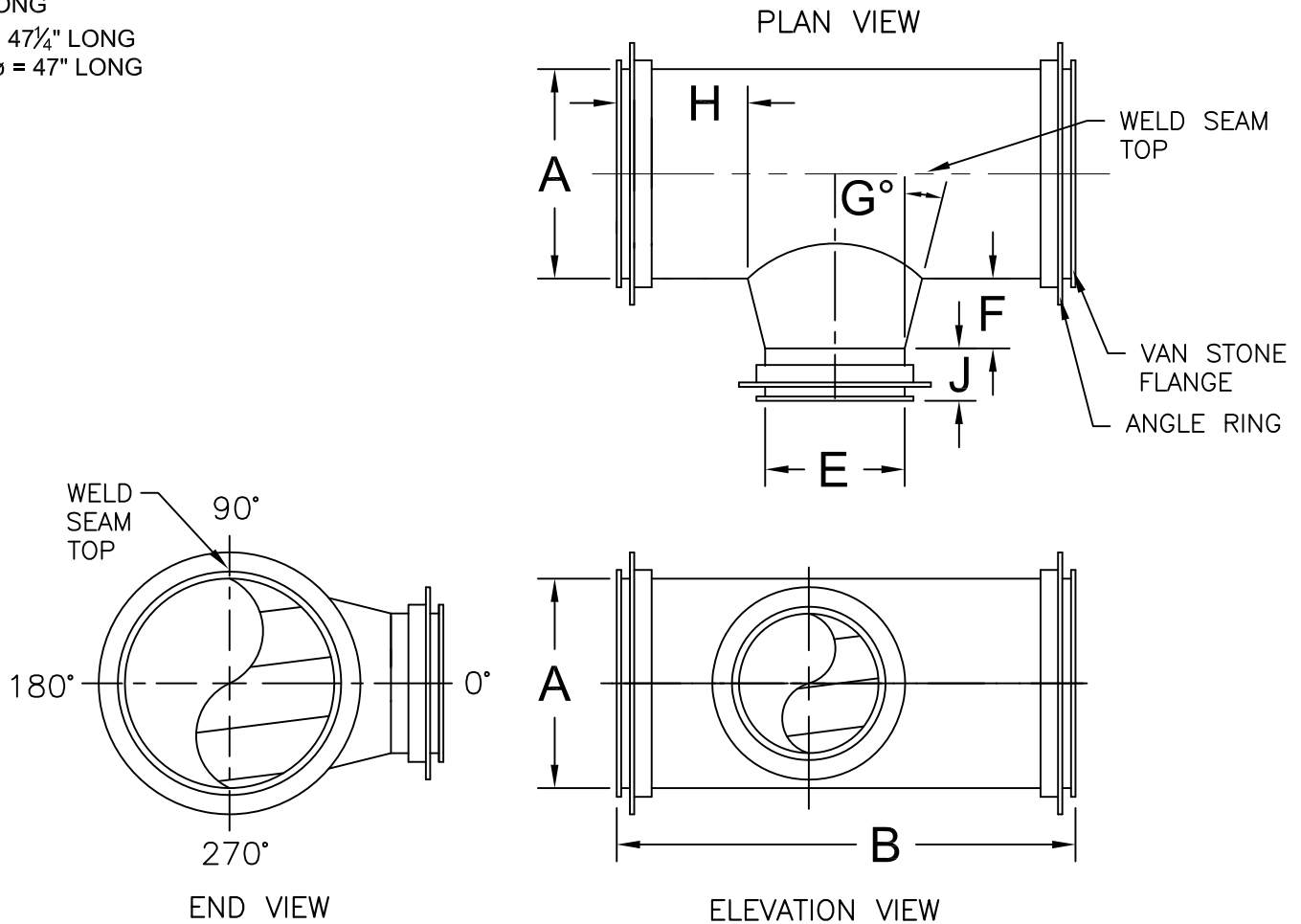
989-723-8417 FAX      EMAIL: vironinfo@vironintl.com

ENVIRONMENTAL CONTROL SYSTEMS

USER		
REP.		
JOB NO.		
DATE	SHEET	OF
DRAWN BY		

**STANDARD DIAMETERS & LENGTHS**

- 4"Ø = 48" LONG
- 6"Ø - 16"Ø = 47¼" LONG
- 18"Ø - 120"Ø = 47" LONG



**NOTES:**

1.  304L  316L SST MATERIAL WITH 2B FINISH.
2. 304 SST ANGLE RINGS DRILLED.
3. HALAR COATING, INTERIOR ONLY.
4. TIG WELDS ONLY.
5. FUSION WELDS ON ALL LONGITUDINAL SEAMS.
6. "F" REQUIRES A 6" MINIMUM LENGTH.
7. "H" REQUIRES A MINIMUM LENGTH OF 4".

STATIC PRESSURE

-6"WG     -10"WG

OTHER: \_\_\_\_\_

PART NUMBER	DESCRIPTION							GA	QTY	REMARKS
	A	B	E	F	G°	H	J			

**SSTEELCOAT<sup>®</sup> CONICAL TEE**