

VIRON® INTERNATIONAL CORP.

OWOSSO, MICHIGAN TEMPLE, TEXAS
989-723-8255

989-723-8417 FAX EMAIL: vironinfo@vironintl.com
ENVIRONMENTAL CONTROL SYSTEMS

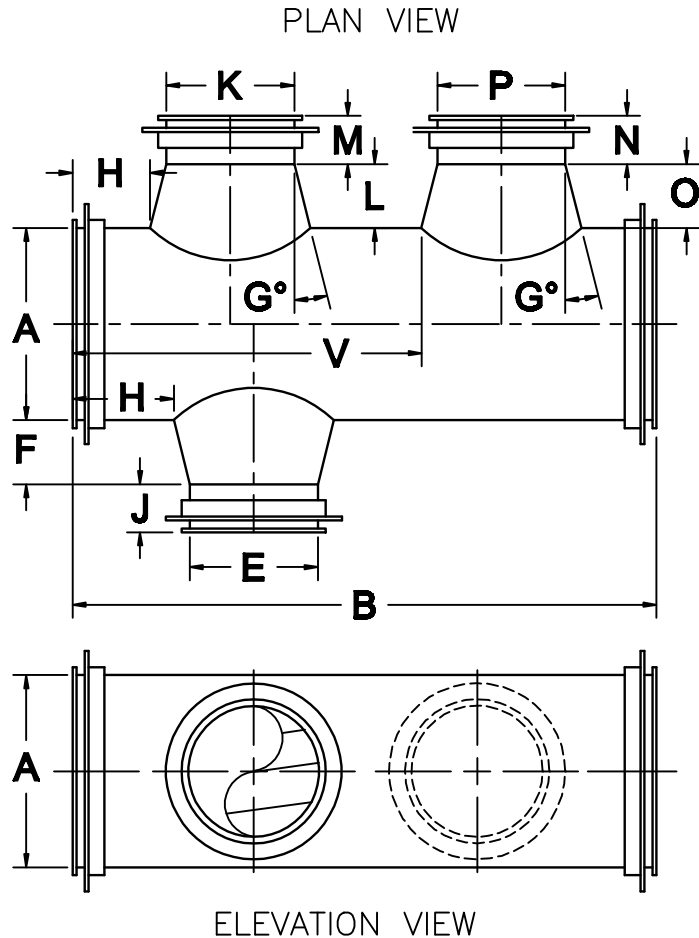
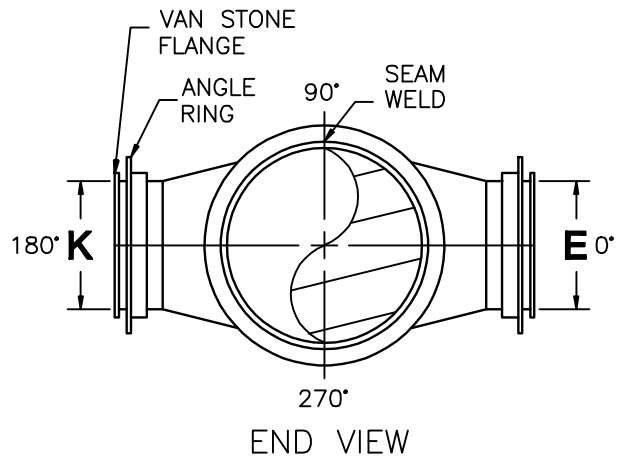
USER	
REP.	
JOB NO.	
DATE	SHEET OF
DRAWN BY	

STANDARD DIAMETERS & LENGTHS

- 4"ø = 48" LONG
- 6"ø - 16"ø = 47¼" LONG
- 18"ø - 120"ø = 47" LONG

NOTES:

1. 304L 316L SST MATERIAL WITH 2B FINISH.
2. 304 SST ANGLE RINGS DRILLED
3. HALAR COATING, INTERIOR ONLY.
4. TIG WELDS ONLY.
5. FUSION WELDS ON ALL LONGITUDINAL SEAMS.
6. H REQUIRES A MINIMUM LENGTH OF 3".



STATIC PRESSURE

-6"WG -10"WG

OTHER: _____

PART #	DESCRIPTION										GA	QTY	REMARKS	
	A	B	E	F	G	H	J	K	L	M				
	N	O	P	V	REMARKS									

SSTEELCOAT® DUCT w/(3) CONICAL TAPS