

VIRON® INTERNATIONAL CORP.

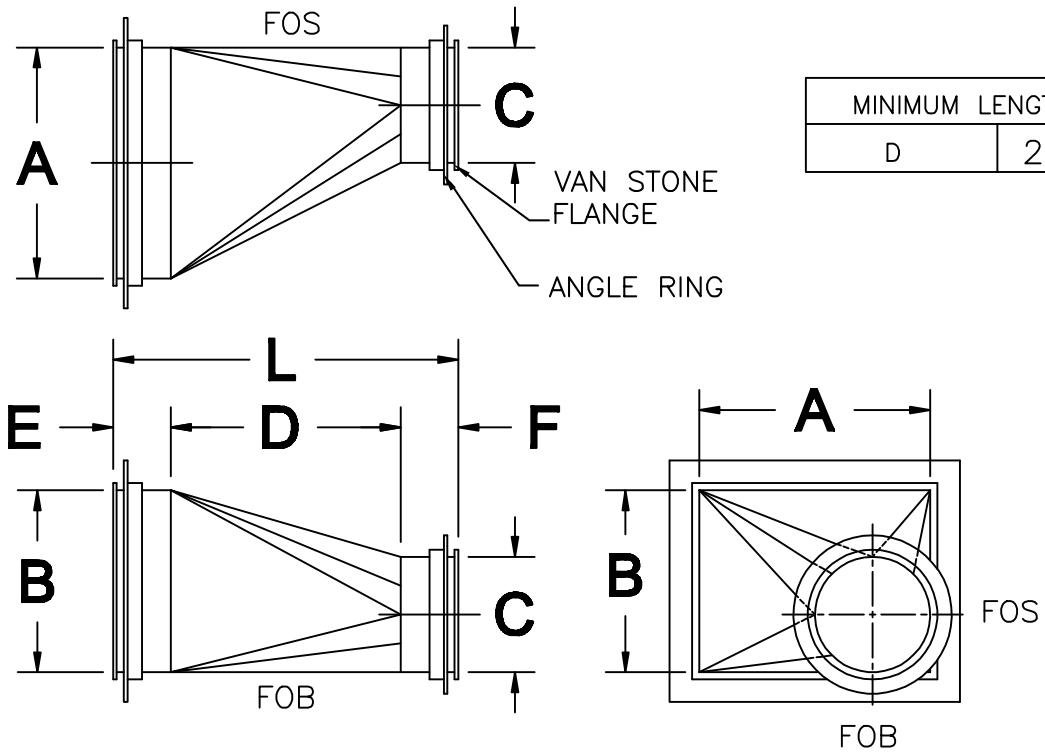
OWOSSO, MICHIGAN TEMPLE, TEXAS

989-723-8255

989-723-8417 FAX EMAIL: vironinfo@vironintl.com

ENVIRONMENTAL CONTROL SYSTEMS

USER		
REP.		
JOB NO.		
DATE	SHEET	OF
DRAWN BY		



NOTES:

1. 304L 316 L SST MATERIAL WITH 2B FINISH.
2. 304 SST ANGLE RINGS DRILLED.
3. HALAR COATING, INTERIOR ONLY.
4. TIG WELDS ONLY.
5. FUSION WELDS ON ALL LONGITUDINAL SEAMS.
6. G & H REQUIRE A 3" MINIMUM LENGTH

STATIC PRESSURE	
<input type="checkbox"/> -6"WG	<input type="checkbox"/> -10"WG
OTHER: _____	

PART NUMBER	DESCRIPTION							GA	QTY	
	A	B	C	D	E	F	L			

SSTEELCOAT® 2 WAY SQUARE TO ROUND