

# VIRON INTERNATIONAL CORP.

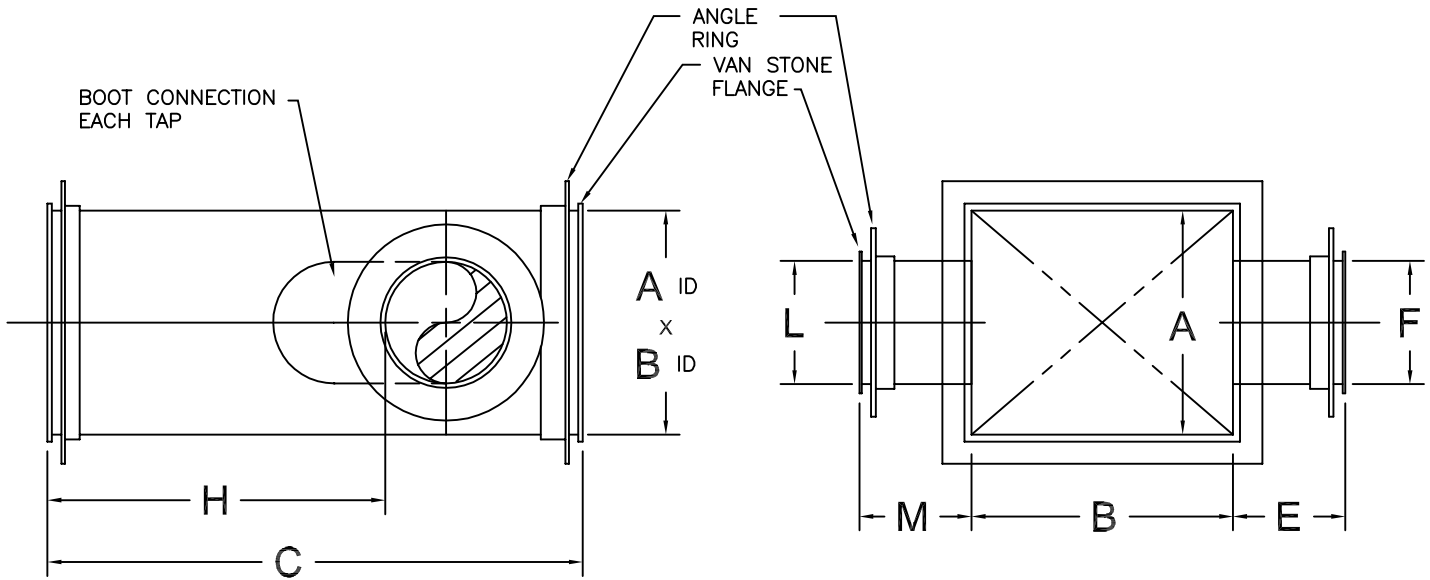
OWOSSO, MICHIGAN      TEMPLE, TEXAS

989-723-8255

989-723-8417 FAX      EMAIL: vironinfo@vironintl.com

VIRONMENTAL CONTROL SYSTEMS

USER	
REP.	
JOB NO.	
DATE	SHEET OF
DRAWN BY	



**NOTES:**

- 304L  316L SST MATERIAL WITH 2B FINISH.
- 304 SST ANGLE RINGS DRILLED.
- HALAR COATING, INTERIOR ONLY.
- TIG WELDS ONLY.
- FUSION WELDS ON ALL LONGITUDINAL SEAMS.

STATIC PRESSURE

-6"WG       -10"WG

OTHER: \_\_\_\_\_

PART NUMBER	DESCRIPTION										GA	QTY	REMARKS
	A	B	C	E	F	H	L	M	O				

## SST RECTANGULAR STRAIGHT w/ROUND TAPS