

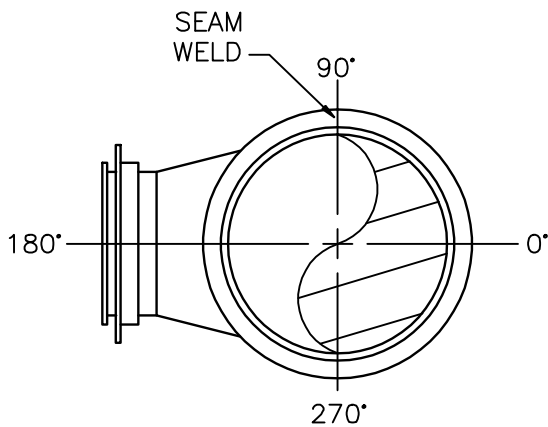
VIRON[®] INTERNATIONAL CORP.

OWOSSO, MICHIGAN TEMPLE, TEXAS
 989-723-8255
 989-723-8417 FAX EMAIL: vironinfo@vironintl.com
 ENVIRONMENTAL CONTROL SYSTEMS

| | |
|----------|----------|
| USER | |
| REP. | |
| JOB NO. | |
| DATE | SHEET OF |
| DRAWN BY | |

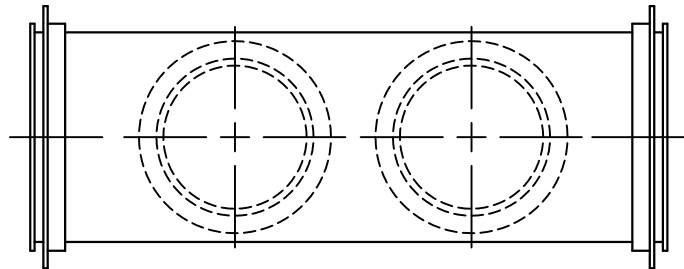
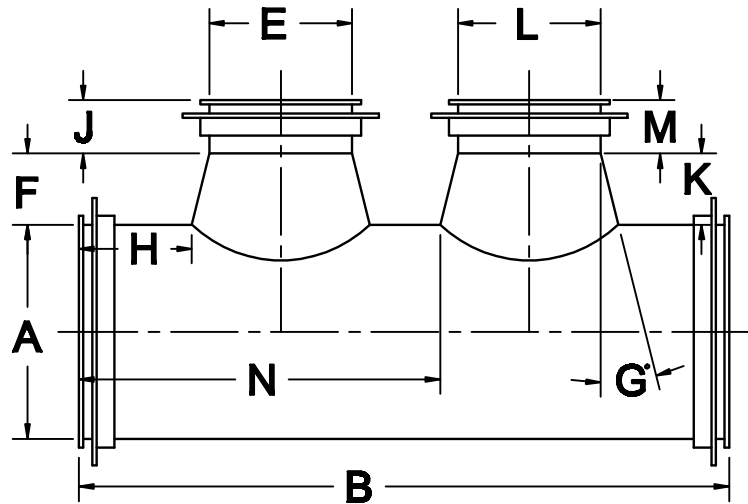
STANDARD DIAMETERS & LENGTHS

- 4"ø = 48" LONG
- 6"ø - 16"ø = 47¼" LONG
- 18"ø - 120"ø = 47" LONG



END VIEW

PLAN VIEW



NOTES:

1. 304L 316 L SST MATERIAL WITH 2B FINISH.
2. 304 SST ANGLE RINGS DRILLED
3. HALAR COATING, INTERIOR ONLY.
4. TIG WELDS ONLY.
5. FUSION WELDS ON ALL LONGITUDINAL SEAMS.
6. H REQUIRES A MINIMUM LENGTH OF 3".

STATIC PRESSURE

- 6"WG -10"WG

OTHER: _____

| PART NUMBER | DESCRIPTION | | | | | | | | | | | GA | QTY |
|-------------|-------------|---|---|---|---|---|---|---|---|---|---|----|-----|
| | A | B | E | F | G | H | J | K | L | M | N | | |
| | | | | | | | | | | | | | |
| | | | | | | | | | | | | | |
| | | | | | | | | | | | | | |
| | | | | | | | | | | | | | |

SSTEELCOAT[®] DUCT w/(2) CONICAL TAPS