

VIRON® INTERNATIONAL CORP.

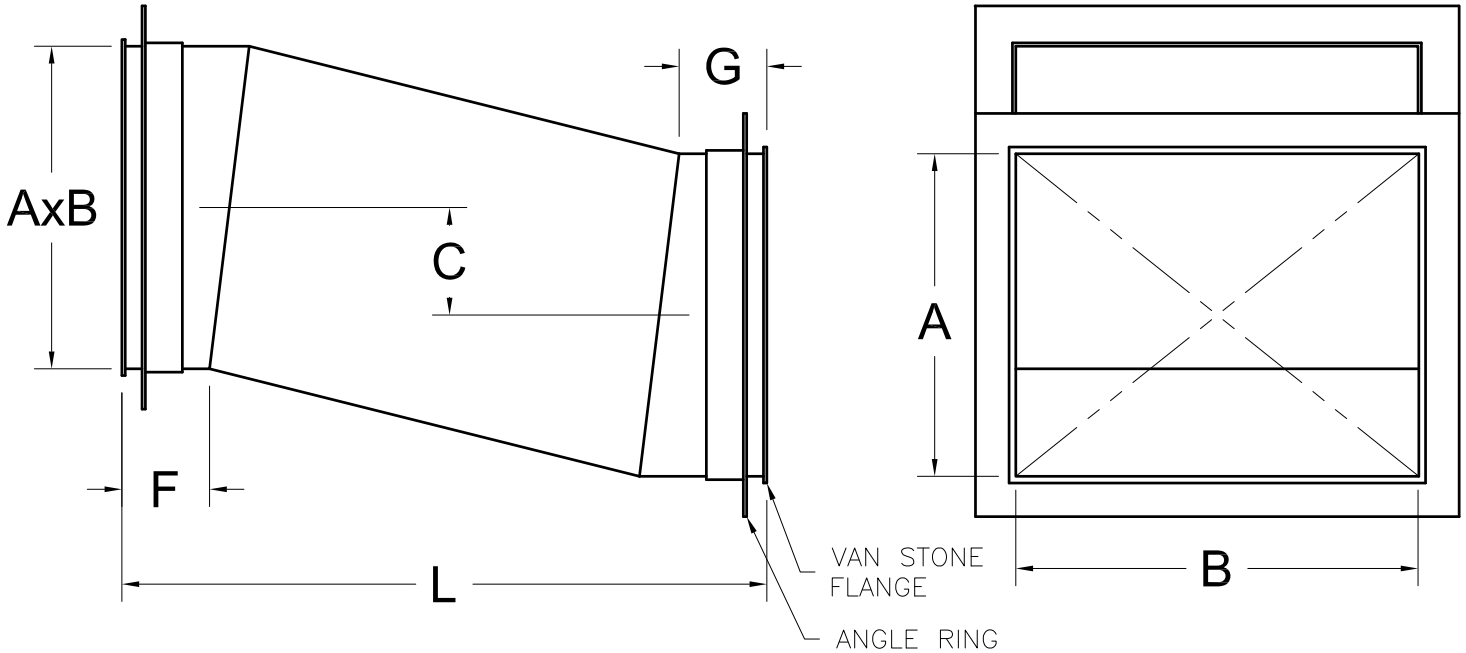
OWOSSO, MICHIGAN TEMPLE, TEXAS

989-723-8255

989-723-8417 FAX EMAIL: vironinfo@vironintl.com

ENVIRONMENTAL CONTROL SYSTEMS

USER	
REP.	
JOB NO.	
DATE	SHEET OF
DRAWN BY	



NOTES:

- 304L 316L SST MATERIAL WITH 2B FINISH.
- 304 SST DRILLED ANGLE
- HALAR COATED INTERIOR ONLY.
- FUSION WELDS ON ALL LONGITUDINAL SEAMS.

STATIC PRESSURE

-6" WG -10" WG

OTHER: _____

PART NO.	DESCRIPTION						GA	QTY	REMARKS
	A	B	C	F	G	L			

SSTEELCOAT® RECTANGULAR OFFSET