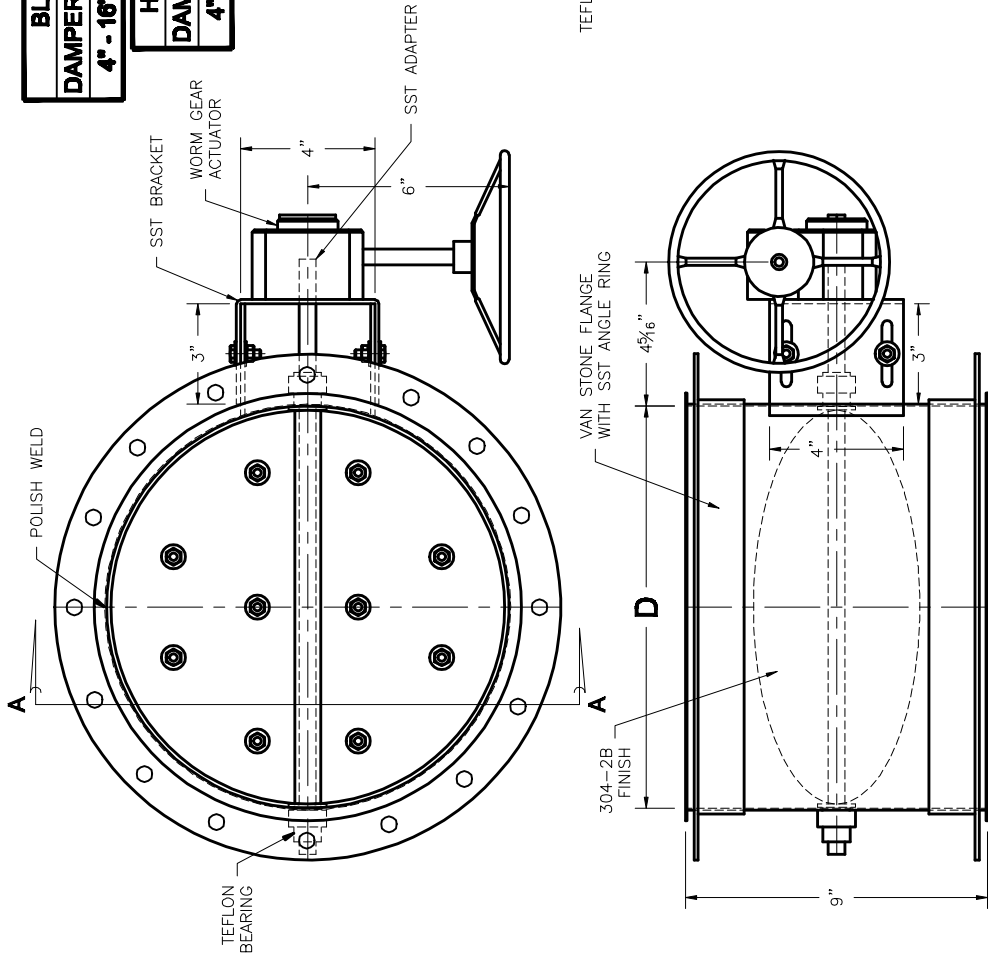


PART NO	DAMPER Ø	QTY.
	4"	
	6"	
	8"	
	10"	
	12"	
	14"	
	16"	

BLADE & AXLE		
DAMPER Ø	GAGE	AXLE Ø
4" - 16"	16	1/2"

HOUSING GA		
DAMPER Ø	GAGE	18
4" - 16"		



**SECTION A-A**

**4" Ø - 16" Ø 304 SST / HALAR BUTTERFLY DAMPER WITH HAND WHEEL**

STATIC PRESSURE

-6"WG     -10"WG

-30"WG     \_\_\_\_\_

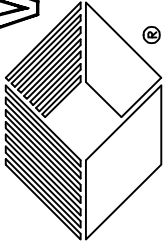
USER \_\_\_\_\_

REP. \_\_\_\_\_

JOB NO. \_\_\_\_\_

DATE \_\_\_\_\_ SHEET OF \_\_\_\_\_

DRAWN BY \_\_\_\_\_



**VIRON** INTERNATIONAL CORP.  
 OWOSSO, MICHIGAN    TEMPLE, TEXAS  
 989-723-8255  
 989-723-8417 FAX    EMAIL: vironinfo@vironintl.com  
 ENVIRONMENTAL CONTROL SYSTEMS