

VIRON[®] INTERNATIONAL CORP.

OWOSSO, MICHIGAN TEMPLE, TEXAS
 989-723-8255
 989-723-8417 FAX EMAIL: vironinfo@vironintl.com
 ENVIRONMENTAL CONTROL SYSTEMS

| | |
|----------|----------|
| USER | |
| REP. | |
| JOB NO. | |
| DATE | SHEET OF |
| DRAWN BY | |

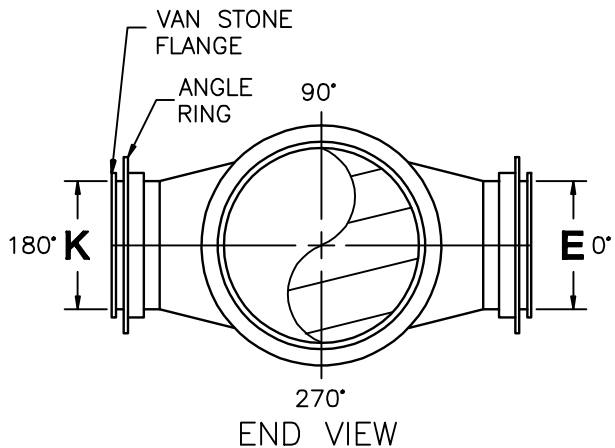
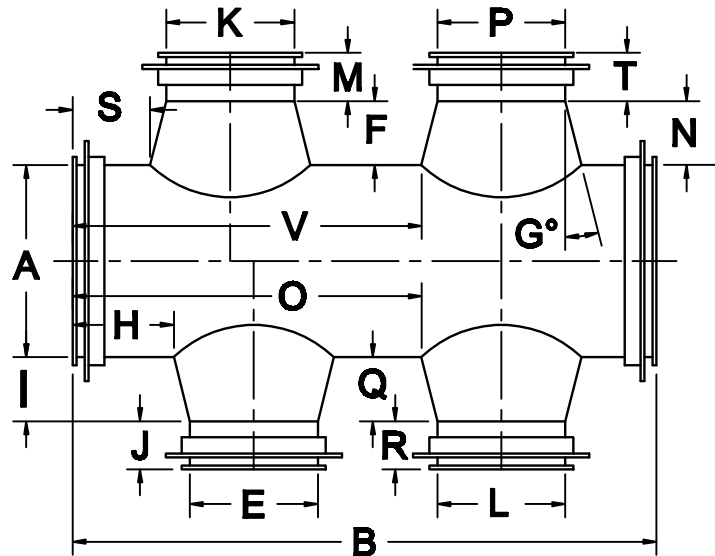
STANDARD DIAMETERS & LENGTHS

- 4"ø = 48" LONG
- 6"ø - 16"ø = 47¼" LONG
- 18"ø - 120"ø = 47" LONG

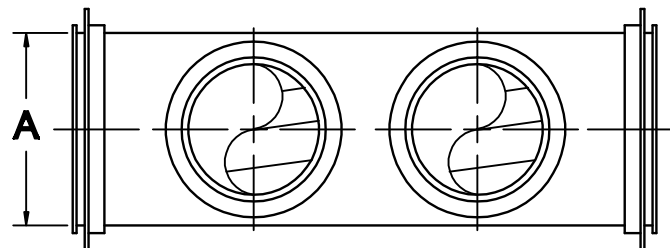
NOTES:

- 304L □ 316 L SST MATERIAL WITH 2B FINISH.
- 304 SST ANGLE RINGS DRILLED
- HALAR COATING, INTERIOR ONLY.
- TIG WELDS ONLY.
- FUSION WELDS ON ALL LONGITUDINAL SEAMS.
- H REQUIRES A MINIMUM LENGTH OF 3".

PLAN VIEW



ELEVATION VIEW



STATIC PRESSURE

□ -6"WG □ -10"WG

OTHER: _____

| PART # | DESCRIPTION | | | | | | | | | | GA | QTY | REMARKS | |
|--------|-------------|---|---|---|----|---|---|---|---|---|----|-----|---------|--|
| | A | B | E | F | G° | H | I | J | K | L | | | | |
| | | | | | | | | | | | | | | |
| | M | N | O | P | Q | R | S | T | V | | | | | |
| | | | | | | | | | | | | | | |
| | | | | | | | | | | | | | | |

SSTEELCOAT[®] DUCT w/(4) CONICAL TAPS