

# VIRON INTERNATIONAL CORP.

OWOSSO, MICHIGAN      TEMPLE, TEXAS

989-723-8255

989-723-8417 FAX      EMAIL: vironinfo@vironintl.com

ENVIRONMENTAL CONTROL SYSTEMS

USER	
REP.	
JOB NO.	
DATE	SHEET OF
DRAWN BY	

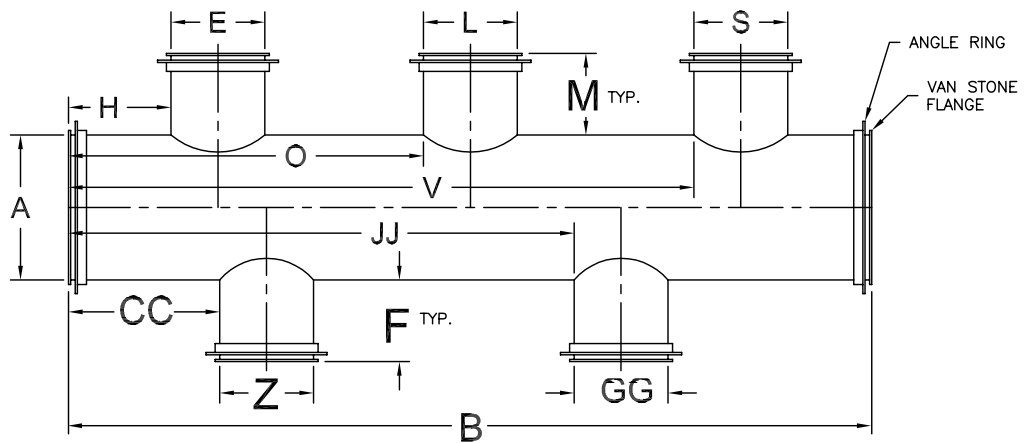
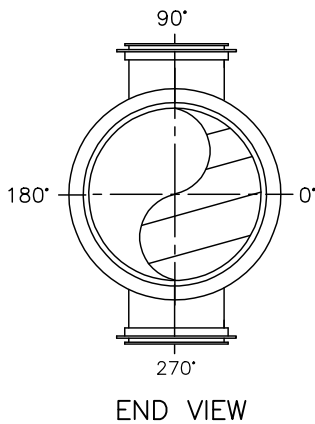
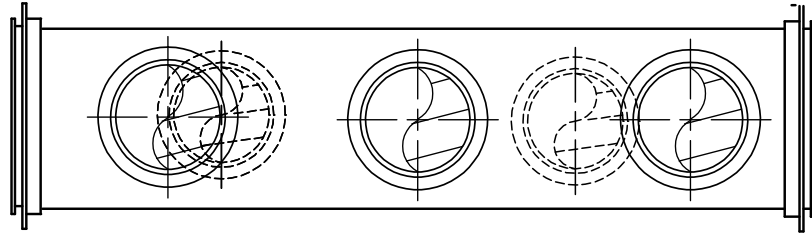
## STANDARD DIAMETERS & LENGTHS

4"Ø = 48" LONG

6"Ø - 16"Ø = 47¼" LONG

18"Ø - 120"Ø = 47" LONG

PLAN VIEW



ELEV. VIEW

**NOTES:**

1.  304L  316 L SST MATERIAL WITH 2B FINISH.
2. 304 SST ANGLE RINGS DRILLED.
3. HALAR COATING, INTERIOR ONLY.
4. TIG WELDS ONLY.
5. FUSION WELDS ON ALL LONGITUDINAL SEAMS.
6. "F" REQUIRES A 6" MINIMUM LENGTH.
7. "H" REQUIRES A MINIMUM LENGTH OF 4".

STATIC PRESSURE

-6"WG     -10"WG

OTHER: \_\_\_\_\_

PART NUMBER	DESCRIPTION									GA	QTY
	A	B	E	F	H	L	M	O	S		
PART NUMBER	V	CC	GG	JJ	Z						

## SSTEELCOAT® STRAIGHT w/(5) STUB FLANGES