

VIRON® INTERNATIONAL CORP.

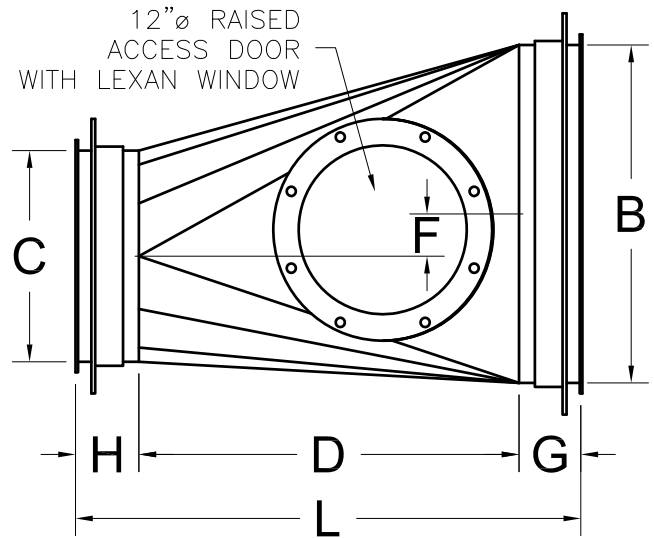
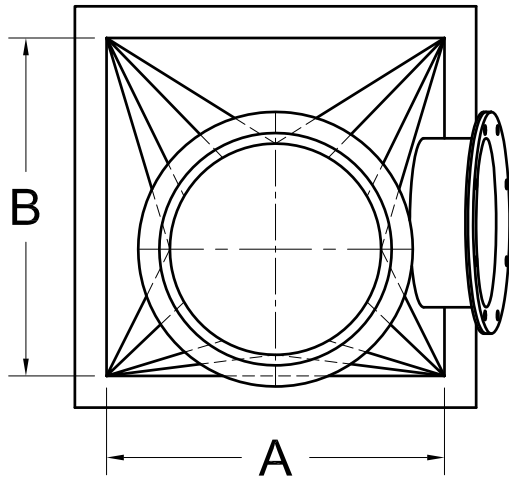
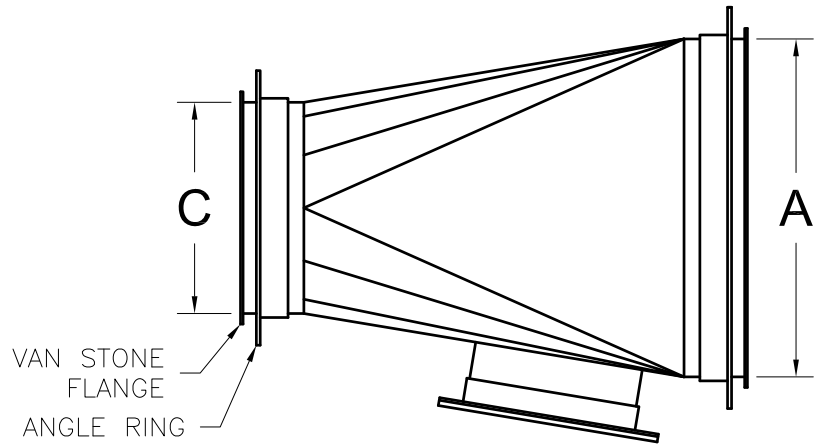
OWOSSO, MICHIGAN TEMPLE, TEXAS

989-723-8255

989-723-8417 FAX EMAIL: vironinfo@vironintl.com

ENVIRONMENTAL CONTROL SYSTEMS

USER	
REP.	
JOB NO.	
DATE	SHEET OF
DRAWN BY	



NOTES:

1. 304L 316L SST MATERIAL WITH 2B FINISH.
2. 304 SST DRILLED ANGLE RINGS.
3. HALAR COATED INTERIOR ONLY.
4. FUSION WELDS ON ALL LONGITUDINAL SEAMS.
5. ALL ANGLE RINGS OVER 30"Ø WILL BE STITCH WELDED.

<u>STATIC PRESSURE</u>	
<input type="checkbox"/> -6"WG	<input type="checkbox"/> -10"WG

PART NO.	DESCRIPTION								GA	QTY	REMARKS
	A	B	C	D	F	G	H	L			

SSTEELCOAT® SQUARE TO ROUND + ACCESS DOOR