

**VIRON**® INTERNATIONAL CORP.

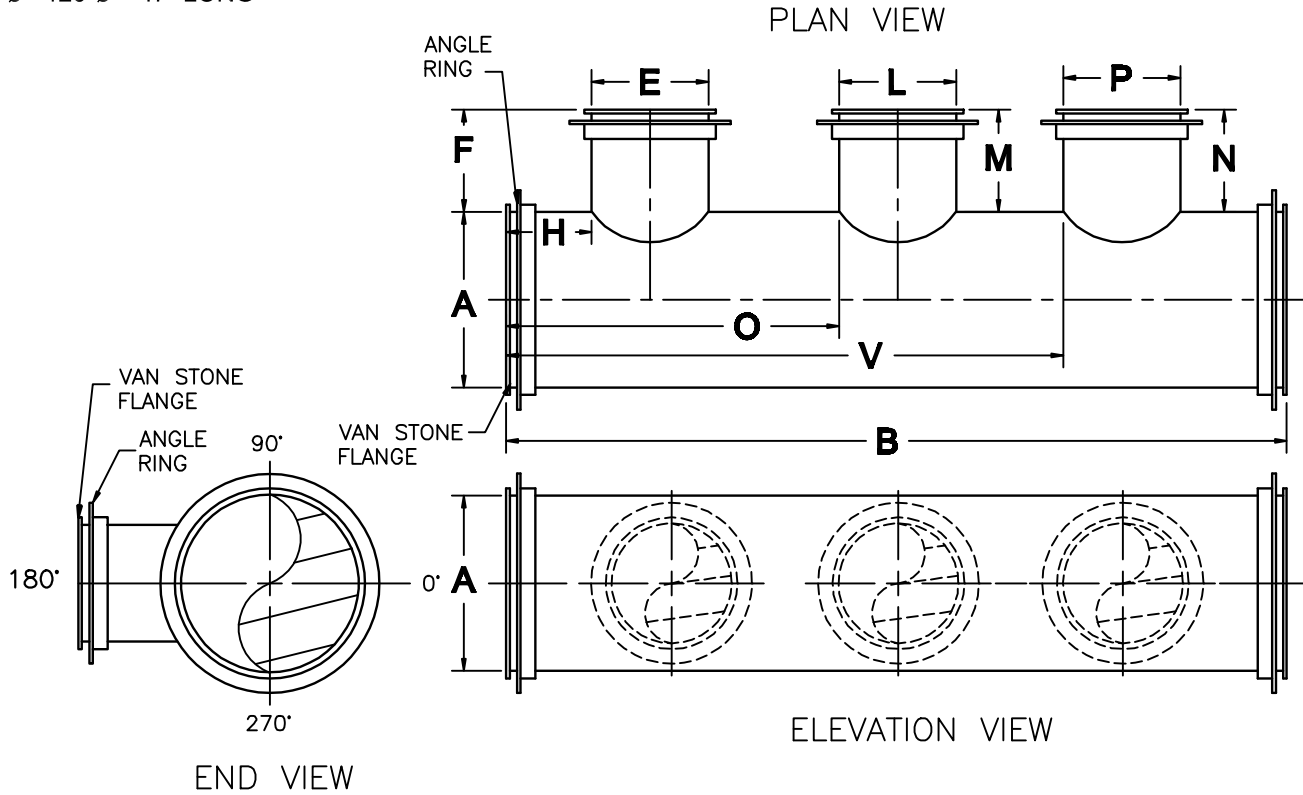
OWOSSO, MICHIGAN    TEMPLE, TEXAS  
989-723-8255

989-723-8417 FAX    EMAIL: vironinfo@vironintl.com  
ENVIRONMENTAL CONTROL SYSTEMS

USER	
REP.	
JOB NO.	
DATE	SHEET OF
DRAWN BY	

**STANDARD DIAMETERS & LENGTHS**

- 4"ø = 48" LONG
- 6"ø - 16"ø = 47¼" LONG
- 18"ø - 120"ø = 47" LONG



**NOTES:**

1.  304L  316 L SST MATERIAL WITH 2B FINISH.
2. 304 SST ANGLE RINGS DRILLED
3. HALAR COATING, INTERIOR ONLY.
4. TIG WELDS ONLY.
5. FUSION WELDS ON ALL LONGITUDINAL SEAMS.
6. H REQUIRES A MINIMUM LENGTH OF 3".

STATIC PRESSURE

-6"WG     -10"WG

OTHER: \_\_\_\_\_

PART NUMBER	DESCRIPTION											GA	QTY	
	A	B	E	F	H	L	M	N	O	P	V			

**SSTEELCOAT**® DUCT w/(3) STUB FLANGES