

VIRON® INTERNATIONAL CORP.

OWOSSO, MICHIGAN TEMPLE, TEXAS

989-723-8255

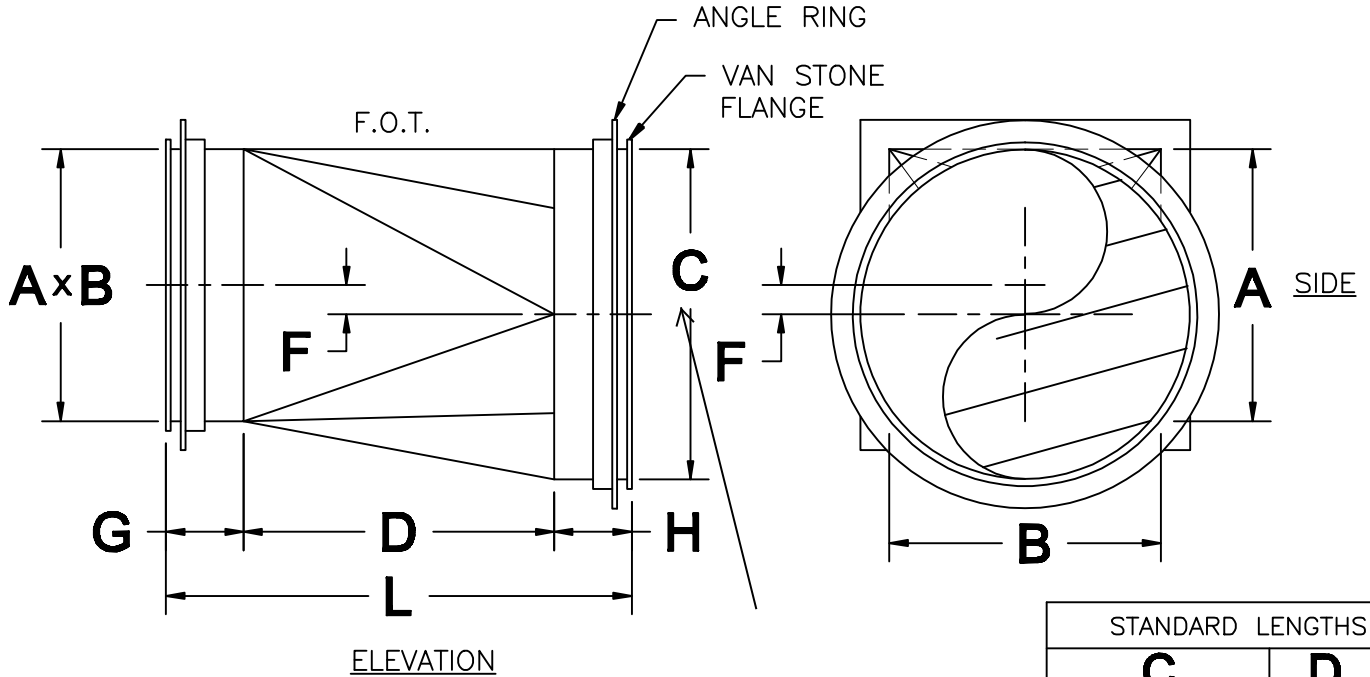
989-723-8417 FAX EMAIL: vironinfo@vironintl.com

ENVIRONMENTAL CONTROL SYSTEMS

USER		
REP.		
JOB NO.		
DATE	SHEET	OF
DRAWN BY		

STANDARD DIAMETERS

"C" = 4"-120"



STANDARD LENGTHS	
C	D
6" & UNDER	12"
8"	14"
10" TO 12"	24"
14" TO 18"	30"

NOTES:

- 304L 316 L SST MATERIAL WITH 2B FINISH.
- 304 SST ANGLE RINGS DRILLED.
- HALAR COATING, INTERIOR ONLY.
- TIG WELDS ONLY.
- FUSION WELDS ON ALL LONGITUDINAL SEAMS.
- G & H REQUIRE A 3" MINIMUM LENGTH.

STATIC PRESSURE

-6" WG -10" WG

OTHER: _____

PART NUMBER	DESCRIPTION									GA	QTY
	A	B	C	D	F	G	H	L			

SSTEELCOAT® SQUARE TO ROUND - F.O.T.